



# AW-GEH-043A-120

Outdoor 2xGE 95W PoH/PoE + 2xGE SFP Switch

Gigabit Ethernet • Surge Protection 12KV • IP67 • IK10

- 2 x 95W PoE Ports
- 2 x SFP Ports
- 10/100/1000 Mbps Data Rates
- 12KV PoE Surge Protection
- Operating Temperature from -40°C ~ 65°C
- Waterproof Rated IP67
- IK10 Impact Rated Cast Aluminum Housing

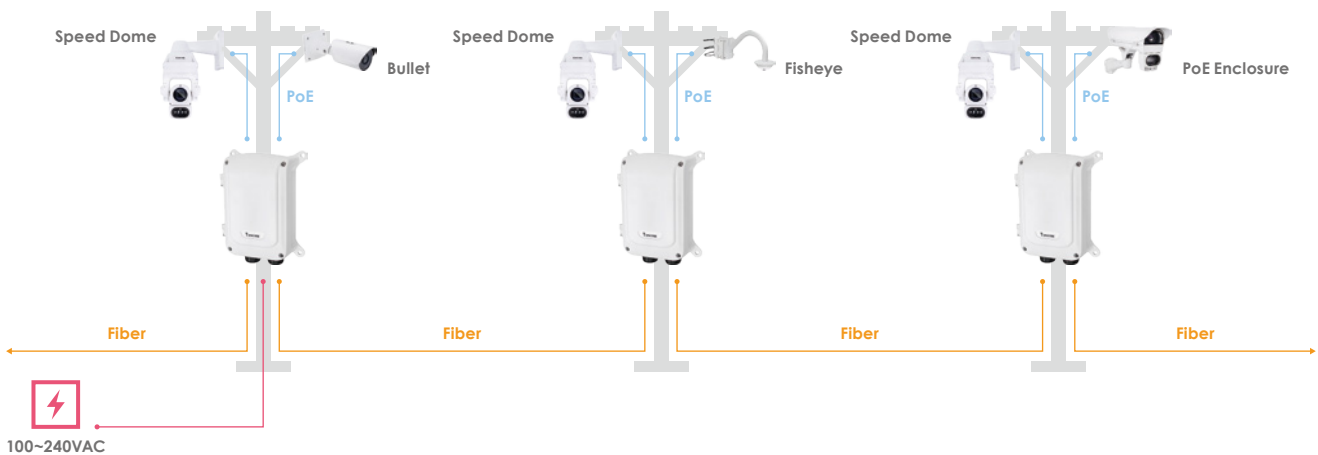


## Overview

AW-GEH-043A-120 is designed with 2xGE 95W PoE ports + 2xGE SFP ports, IP67, IK10, 12KV PoE Ethernet port surge protection, 10KV surge protection in AC power and hardened-grade operation from -40°C and 65°C during harsh weather conditions. AW-GEH-043A-120 enables outdoor data and power connections of high power speed dome, outdoor bullet cameras, outdoor PoE enclosure and outdoor fisheye camera. AW-GEH-043A-120 also allows easy installation to reduce extra equipment and installation costs.

## Application

### Daisy Chain Application



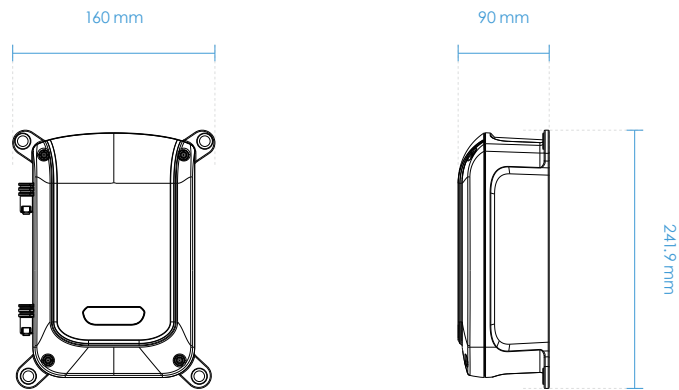
## Technical Specifications

Model	AW-GEH-043A-120
Short Highlight	Outdoor 2xGE 95W PoH/PoE + 2xGE SFP Switch
<b>Ethernet</b>	
Gigabit Ethernet 10/100/1000Mbps (RJ45)	2
Gigabit Ethernet 100/1000Mbps (SFP)	2
<b>Standards</b>	
IEEE 802.3 10-BASE-T (Ethernet)	Supported
IEEE 802.3u 100-BASE-TX (Fast Ethernet)	Supported

## Technical Specifications

IEEE 802.3ab 1000-BASE-T (Gigabit Ethernet)	Supported
IEEE 802.3at Power over Ethernet	Supported
<b>Transmission Media</b>	
10Base T	Cat. 3, 4, 5 UTP/STP
100Base TX	Cat. 5, 5e UTP/STP
1000Base T	Cat. 5e,6,7 UTP/STP
<b>PoE Function</b>	
Number of PoE Out Ports	2
Max. PoE Output Power/Per Port	54VDC/95W
802.3at Standard Compatible	Yes
Over Current Protection	Supported
Circuit Shorting Protection	Supported
Total PoE Power Budget	115W
Power Pin Assignment	1/2(-), 3/6(+), 4/5(+), 7/8(-)
PoE PD Auto Detection	Supported
<b>General</b>	
Power Input	100~240VAC / 50~60Hz
Power Consumption	120W
Surge Protection Data/PoE port	12KV
Surge Protection AC Power	10KV
Waterproof	IP67
Vandal Proof	IK10
Dimensions	241.9 (L) x 160 (W) x 90 (H) mm
Weight	3.35 kg
Operating Temperature	-40°C ~ 65°C (-40°F ~ 149°F)
Storage Temperature	-40°C ~ 85°C (-40°F ~ 185°F)
Operating Humidity	5~95% Non-Condensing
Certifications	CE, FCC, LVD EN62368-1, VCCI
Warranty	24 months

## Dimensions



## Ordering Information

Model Name	Product Description
<b>Outdoor Industrial Unmanaged Series</b>	
AW-GET-083A-120	Outdoor Industrial 4xGE PoE + 2xGE UTP + 2xGE SFP Switch, -40°C~65°C
AW-GEH-043A-120	Outdoor Industrial 2xGE 95W PoH/PoE + 2xGE SFP Switch, -40°C~65°C
<b>Outdoor PoE Extender</b>	
AP-FXC-0160	Outdoor 1-Port FE PoE Extender
AP-FXC-0260	Outdoor 2-Port FE PoE Extender
<b>SFP Transceiver</b>	
SFP-1000-MM85-X5I	Multimode, 0.5 km, -40°C ~ 85°C
SFP-1000-MM13-02I	Multimode, 2 km, -40°C ~ 85°C
SFP-1000-SM13-10I	Single Mode, 10 km, -40°C ~ 85°C
SFP-1000-SM13-40I	Single Mode, 40 km, -40°C ~ 85°C