



FD9365-EHTV-A

Fixed Dome Network Camera

2MP 60fps • Smart Stream III • SNV • WDR Pro • 50M IR • Smart IR II • Smart VCA

- 60 fps @ 1920x1080
- H.265 Compression Technology
- Smart Stream III to Optimize Bandwidth Efficiency
- SNV (Supreme Night Visibility) for Low Light Conditions
- WDR Pro to Provide Extreme Visibility in Extremely Bright or Dark Environments
- Built-in IR illuminators, effective up to 50 meters
- Smart IR II Technology to Avoid Overexposure
- Smart Motion Detection to Reduce False Alarms
- Trend Micro IoT Security
- Smart VCA (Intrusion Detection, Loitering Detection, Line Crossing Detection)
- Weather-proof IP66, IP67 and Vandal-proof IK10-rated Housing





Technical Specifications

System Information

Model	FD9365-EHTV-A
CPU	Multimedia SoC (System-on-Chip)
Flash	256 MB
RAM	1 GB

Camera Features

Image Sensor	1/2" Progressive CMOS
Max. Resolution	1920x1080 (2MP)
Lens Type	Motorized, Vari-focal, Remote Focus
Focal Length	f = 4 ~ 9 mm (f = 2.8 ~ 11.4 mm, equivalent focal length @ 1/2.8")
Aperture	F1.3 ~ F2.2
Iris Type	P-iris
Field of View	120° ~ 46° (Horizontal) 60° ~ 26° (Vertical) 152° ~ 53° (Diagonal)
Shutter Time	1/5 sec. to 1/32,000 sec.
WDR Technology	WDR Pro
Day/Night	Yes
Removable IR-cut Filter	Yes
IR Illuminators	Built-in IR illuminators, effective up to 50 meters with Smart IR II, IR LED*4
Minimum Illumination	0.015 lux @ F1.3 (Color) <0.005 lux @ F1.3 (B/W) 0 lux with IR illumination on
Pan Range	350°
Tilt Range	60°
Rotation Range	±175°
Pan/Tilt/Zoom Functionalities	ePTZ: 48x digital zoom (4x on IE plug-in, 12x built-in)
Storage	Seamless Recording to MicroSD/SDHC/SDXC card slot and recording to network-attached storage (NAS)
Built-in Installation Aids	Remote focus, remote zoom, CVBS

Video

Video Compression	H.265, H.264, MJPEG
Maximum Frame Rate	60 fps @ 1920x1080
Maximum Streams	3 simultaneous streams
S/N Ratio	68 dB
Dynamic Range	120 dB
Video Streaming	Adjustable resolution, quality and constant bit rate control, Smart Stream III
Image Settings	General settings: video title and time stamp overlay, video orientation (flip, mirror, rotation), day/night settings; Illuminators: illuminators, anti-overexposure; Image settings: white balance, image adjustment (brightness, contrast, saturation, sharpness, gamma curve), defog, 3DNR; Exposure: BLC, HLC, exposure control (exposure level, iris adjustment, exposure time, gain control, iris mode), AE speed adjustment, WDR; Focus: zoom, focus; Privacy mask; Scheduled profile settings

Audio

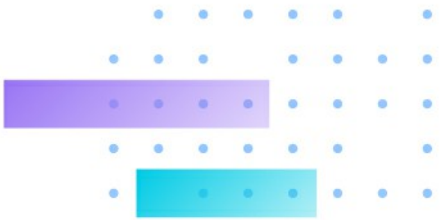
Audio Capability	Two-way Audio (full duplex)
Audio Compression	G.711, G.726
Audio Interface	Built-in microphone External microphone input External line output
Effective Range	5 meters

Network

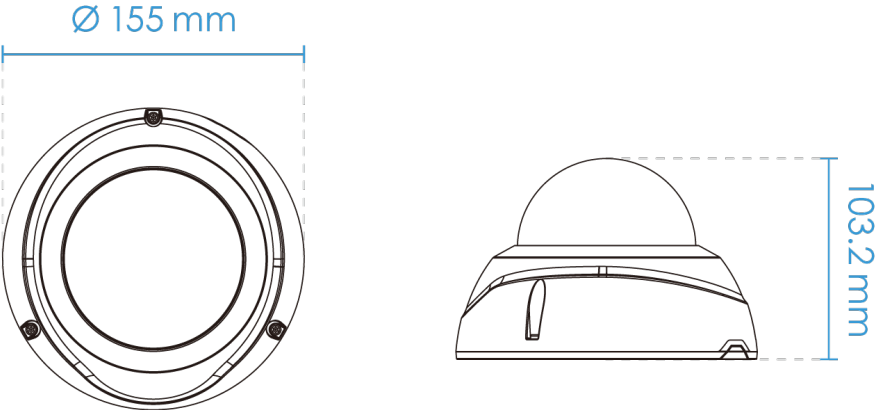
Users	Live viewing for up to 10 clients
-------	-----------------------------------



Security	Access list, digest authentication, HTTPS , IEEE 802.1x, password protection, Trend Micro IoT Security (brute force attack event, cyberattack event, quarantine event), user access log, user account management
Protocols	802.1X, ARP, Bonjour, CIFS/SMB, DDNS, DHCP, DNS, FTP, HTTP, HTTPS, ICMP, IGMP, IPv4, IPv6, NTCIP, NTP, PPPoE, QoS (CoS/DSCP), RTSP/RTP/RTCP, SMTP, SNMP, SSL, TCP/IP, TLS 1.2, UDP, UPnP
Interface	10 Base-T/100 Base-TX Ethernet (RJ-45) *It is highly recommended to use standard CAT5e & CAT6 cables which are compliant with the 3P/ETL standard.
ONVIF	Profile G, S supported, specification available at www.onvif.org
Solution Integration	
Smart Motion Detection	Five-window video motion detection, people detection, time filter
Smart VCA	Intrusion detection, loitering detection, line crossing detection, unattended object detection, missing object detection, face detection, crowd detection, running detection
VADP Package	Deep Learning VCA (Smart Motion Detection, Smart VCA), Stratocast, Trend Micro IoT Security (3-year free trial)
Alarm and Event	
Event Trigger	Audio detection, camera tampering detection, cybersecurity events (brute force attack event, cyberattack event, quarantine event), digital input, manual trigger, motion detection, periodical trigger, recording notification, SD card life expectancy, shock detection, system boot
Event Action	Event notification via audio clip, digital output, email, HTTP, FTP, NAS server, SD card File upload via email, HTTP, FTP, NAS server, SD card
General	
Connectors	RJ-45 cable connector for 10/100 Mbps PoE network connection Audio line input Audio line output AC 24V power input DC 12V power input Digital input *2 Digital output *2 TV output
LED Indicator	System power and status indicator
Power Input	IEEE 802.3at Class 4 PoE, DC 12V, AC 24V (Simultaneous Power Redundancy Supported)
Power Consumption	PoE: Max. 21/17 W (IR on/off) DC 12V: Max. 18/14 W (IR on/off) AC 24V: Max. 19.5/15.5 W (IR on/off)
Dimensions	Ø 155 x 103.2 mm
Weight	909 g
Certifications	EMC: CE (EN 55032 Class A, EN 55024), FCC (FCC Part 15 Subpart B Class A), RCM (AS/NZS CISPR 32 Class A), VCCI (VCCI-CISPR 32 Class A); Safety: UL (UL 62368-1), CB (IEC/EN 62368-1, IEC/EN 60950-22, IEC/EN 62471); Environment: IK10 (IEC 62262), IP66/67 (IEC 60529); IA: BIS (IS 13252)
Operating Temperature	Starting Temperature: -40°C ~ 50°C (-40°F ~ 122°F) Working Temperature: -50°C ~ 60°C (-58°F ~ 140°F) (IR off) -50°C ~ 50°C (-58°F ~ 122°F) (IR on)
Humidity	98%
Warranty	36 months
System Requirements	
Operating System	Microsoft Windows 10/8/7 Mac 10.12 (Chrome only)
Web Browser	Chrome 58.0 or above Internet Explorer 11
Other Players	VLC: 1.1.11 or above
Included Accessories	
Packing Contents	Quick installation guide, alignment sticker, screw pack, desiccant bag, waterproof accessory bag, conduit ring




Dimensions



Compatible Accessories

Mounting Kits



AM-21A
L-shape Bracket

Mounting Kits



AM-51C
Adapting Plate

Mounting Kits



AM-525
Mounting Adapter

Mounting Kits



AM-713
Conduit Box (IP66)