

235

台灣 新北市
中和區連城路192號6樓
晶睿通訊股份有限公司
JOANNE CHANG



JOANNE CHANG
 VIVOTEK INC
 6TH FL, 192 LIEN CHENG RD
 CHUNG HO DISTRICT
 NEW TAIPEI
 235 TAIWAN

Date: 2018/03/23
 Subscriber: 100504413
 PartySite: 125336
 File No: E324690
 Project No: 4788145535
 PD No: 18Q03119
 Type: R
 PO Number: U783013

Subject: **Procedure And/Or Report Material**

The following material resulting from the investigation under the above numbers is enclosed.

Issue

<u>Date</u>	<u>Vol</u>	<u>Sec</u>	<u>Pages</u>	<u>Revised Date</u>
	X2		Index Page(s)	
2018/03/23	X2	A131	Cert of Compliance	
2018/03/23	X2	A131	Add New Proc/Report Sect	

If there are illegible images in this package, legible images may be found online via MyHome@UL under My UL Reports/CDA/.

Please file revised pages and illustrations in place of material of like identity. New material should be filed in its proper numerical order.

NOTE: Follow-Up Service Procedure revisions DO NOT include Cover Pages, Test Records and Conclusion Pages. Report revisions DO NOT include Authorization Pages, Indices, Section General Pages and Appendixes.

Please review this material and report any inaccuracies to UL's Customer Service Professionals. Contact information for all of UL's global offices can be found at <http://ul.com/aboutul/locations>.

If you'd like to receive updated materials FASTER, UL offers electronic access and/or delivery of this material. For more details, contact UL's Customer Service Professionals as shown above.

This material is provided on behalf of UL LLC (UL) or any authorized licensee of UL.

TPI File

File		Volume	Page	Date:
E324690	Index	X2	1	2018-03-23

Index

Product Type	Model/Type Reference	Report Reference #	Status
Outdoor Network Camera	IP8330, IP8332	E324690-A4-UL	
Network Camera	IP8162, IP8162P, CIVS-IPC-6000P	E324690-A9-UL	
Network Camera	FD8162, FD8162V, FD8362, FD8362E, CIVS-IPC-6020, CIVS-IPC-6030, CIVS-IPC-3530, CIVS-IPC-3535 and CIVS-IPC-3520	E324690-A10-UL	
Network Video Recorder	NR8201, NR8301	E324690-A12-UL	
Network Camera	IP8352	E324690-A13-UL	
Network Camera	FE8171V	E324690-A15-UL	
Video Encoder, 4 Port, Standalone; Video Encoder, 8 Port, Standalone	CIVS-SENC-4P-K9, CIVS-SENC-8P-K9, CIVS-SENC-4P, CIVS-SENC-8P	E324690-A16-UL	
Network Camera	1) MD8562 2) MD8562D	E324690-A17-UL	
Network Camera	IP8362	E324690-A18-UL	
Network Camera	IK-WD14A, IK-WR14A	E324690-A21-UL	
Outdoor Dome Network Camera	FD8372, CIVS-IPC-7030, CIVS-IPC-7030E	E324690-A22-UL	
Network Camera	FE8172, FE8172V, FE8173, FE8174, FE8174V, SF8174, SF8174V	E324690-A25-UL	
Network Camera	IP8332-C	E324690-A28-UL	
Outdoor Speed Dome Network Camera	SD83XXE (X = 0-9, A-Z or blank), CIVS-IPC-6930, CIVS-IPC-2830, CIVS-IPC-2835	E324690-A29-UL	
Network Camera	IP8172, IP8172P	E324690-A30-UL	
Network Camera	CIVS-IPC-6400	E324690-A31-UL	
Network Camera	CIVS-IPC-3421V	E324690-A33-UL	
Indoor Dome Network Camera	FD8136-FXX, FD8166-FXX (The X=0-9, A-Z, a-z or blank for marketing purpose)	E324690-A34-UL	
Network Camera	IK-WR04A, IK-WD04A	E324690-A36-UL	
Network Camera	IP8372	E324690-A37-UL	
IP Camera VGA	S5003FDXXXXXXXXXXXXX (X can be 0-9, A-Z, a-z, blank or "-", and no impact safety related critical components and construction.)	E324690-A38-UL	
Network Camera	IK-WB81A	E324690-A39-UL	
1080P Fixed Dome Network Camera	FD8163, FD8363	E324690-A40-UL	
Network Camera	CIVS-IPC-6050	E324690-A44-UL	
Network Camera	FD8355EHV, FD8365EHV, FD8155H, FD8165H	E324690-A49-UL	
Network Camera	IK-WD05A, IK-WR05A	E324690-A50-UL	
Network Camera	FD8371EV	E324690-A51-UL	
Network Camera	CIVS-IPC-6400E	E324690-A52-UL	
Network Camera	IP8355EH, IP8365EH	E324690-A53-UL	
Network Camera	CIVS-IPC-6500PD	E324690-A54-UL	
Network Camera	(1) CIVS-IPC-7530PD (2) CIVS-IPC-7030P	E324690-A56-UL	
Network Camera	CIVS-IPC-3050, MD8531H-FXX, MD8531H-	E324690-A58-UL	

File		Volume	Page	Date:
E324690	Index	X2	2	2018-03-23

	FXX(W)(X= 0-9, a-z, A-Z, "-", "/" or blank for marketing purpose)		
Network Camera	IP8155HP, IP8165HP, IP8166	E324690-A59-UL	
Network Camera	FD8152V-FX(B), FD8152V-FX(W) (X=0-9,a-z,A-Z,"-", "/" or blank for marketing purpose: (B) Black for enclosure color; (W) White for enclosure color).	E324690-A60-UL	
Network Camera	FE8181, FE8181V, FE8191 ,FE8391-V, CIVS-IPC-7070, FE8181V (VVPR)	E324690-A61-UL	
Network Video Recorder	ND8401	E324690-A62-UL	
Camera	IB8367, IB8367-R, IB8367-T, IB8367-RT	E324690-A63-UL	
Network Camera	SD8161, SD8161-XX (X = 0-9, a-z, A-Z or blank for marketing purpose)	E324690-A64-UL	
Network Camera	IB8338-H, IB8338-HR	E324690-A66-UL	
Network Camera	FD8173-H, FD8373-EHV	E324690-A67-UL	
Network Camera	FD8181, FD8381-EV	E324690-A68-UL	
Network Camera	IK-WD31A, IK-WR31A	E324690-A71-UL	
Network Camera	IB8373-EH, IK-WB82A	E324690-A72-UL	
Network Camera	FD8167, FD8167-T, FD8138H (indoor use) FD8367-V, FD8367-TV, FD8338-HV (outdoor use)	E324690-A73-UL	
Network Camera	IP816A-HP, IP816A-LPC	E324690-A74-UL	
Network Camera	IK-WF51A, IK-WF51R	E324690-A75-UL	
Stereo Camera	SC8131	E324690-A76-UL	
IP 360 Dome Camera (5M)	V6050FDxxxxxxx, V6050FDWxxxxxxx (x =0-9, a-z, space or "-" for marketing purpose).	E324690-A77-UL	
Network Camera	CC8370-HV	E324690-A78-UL	
Network Camera	CIVS-IPC-3630, CIVS-IPC-6630, CIVS-IPC-3620, CIVS-IPC-6620	E324690-A79-UL	
Network Camera	IP9171-HP, IP9181-H	E324690-A80-UL	
Network Camera	FD9171-HT, FD9371-HTV, FD9371-EHTV, FD9181-HT, FD9381-EHTV, FD9381-HTV, IK-WD51A, IK-WR51A	E324690-A81-UL	
Network Camera	IB9371-HT, IB9371-EHT, IB9381-HT, IB9381-EHT	E324690-A82-UL	
Network Camera	FE8182	E324690-A83-UL	
Network Camera	FD816C-HF2, FD816CA-HF2	E324690-A84-UL	
Communication IP Camera	KX-NTV150XX (X=0~9, A~Z, a~z, space or "-" for marketing purpose)	E324690-A85-UL	
IP Video Doorphone	KX-NTV160XX (X=0~9, A~Z, a~z, space or "-" for marketing purpose)	E324690-A86-UL	
Network Camera	(1) MD8563-EHFX (X= 0-9, a-z, A-Z, "-", "/" or blank for marketing purpose) (2) MD8563-DEHX (X=0-9, A-Z, a-z , "-", "/" or blank for marketing purpose)	E324690-A88-UL	
Network Camera	VC8101	E324690-A90-UL	
Network Camera	MV21-HW, MV71-HW	E324690-A91-UL	
Network Video Recorder	ND9541, ND9441	E324690-A95-UL	
Network Camera	SD9361-XXX, SD9362-XXX (X = 0-9, a-z, A-Z or blank)	E324690-A96-UL	
Network Camera	SD9364-EHL, SD9364-EH and SD9363-EHL	E324690-A97-UL	
Network Camera	MS8391-EV	E324690-A98-UL	

File		Volume	Page	Date:
E324690	Index	X2	3	2018-03-23

Network Camera	FD8166A-N	E324690-A99-UL	
Network Camera	IZ9361-EH	E324690-A100-UL	
Network Camera	SD9161-H	E324690-A101-UL	
Network Camera	(1) FE9182-H (2) FE9382-EHV	E324690-A103-UL	
Network Camera	SC8132	E324690-A105-UL	
NETWORK ATTACHED STORAGE	NR9681, NR9581, SR9681, SR9581	E324690-A106-UL	
Network Camera	CD8371-HNVFX (X=0~9, A~Z, a~z, space or "-" for marketing purpose), CD8371-HNTV	E324690-A107-UL	
Network Camera	FD8177-H, FD8167A, FD8179-H, FD8169A (indoor use) FD8377-HV, FD8367A-V, FD8379-HV, FD8369A-V (outdoor use)	E324690-A108-UL	
Network Camera	SD9365-EH, SD9366-EHL, SD9366-EH	E324690-A109-UL	
Network Camera	MS8392-EV	E324690-A110-UL	
Network Video Recorder	ND9441P, ND9541P	E324690-A111-UL	
Network Camera	MD8565-N	E324690-A112-UL	
Network Camera	J-WB51A	E324690-A113-UL	
Network Camera	IB8379-H, IB8377-H, IB8367A, IB8369A	E324690-A114-UL	
Network Camera	CIVS-IPC-8000P	E324690-A115-UL	
Network Camera	CIVS-IPC-8400	E324690-A116-UL	
Network Camera	CIVS-IPC-8020, CIVS-IPC-8030	E324690-A117-UL	
Network Camera	MD8564-EH	E324690-A118-UL	
Network Camera	FD8366-V	E324690-A119-UL	
Network Camera	(1) FE9191 (2) FE9391-EV	E324690-A120-UL	
Network Camera	MA8391-EVT	E324690-A121-UL	
Network Camera	CC8371-HV	E324690-A122-UL	
Network Camera	IP9191-HP	E324690-A123-UL	
Network Camera	FD9365-EHTV, FD9365-HTV, FD8365-HTV-v2	E324690-A124-UL	
Network Camera	Meraki MV12W-HW, Meraki MV12WE-HW, Meraki MV12N-HW	E324690-A126-UL	
Network Camera	FD9165-HT	E324690-A130-UL	
Network Camera	FD9367-HTV, FD9367-EHTV, FD9367-HV, FD9167-HT, FD9167-H.	E324690-A131-UL	

CERTIFICATE OF COMPLIANCE

Certificate Number 20180323-E324690
Report Reference E324690-A131-UL
Issue Date 2018-MARCH-23

Issued to: VIVOTEK INC
6TH FL, 192 LIEN CHENG RD
CHUNG HO DISTRICT
NEW TAIPEI, 235 TAIWAN

**This is to certify that
representative samples of**

INFORMATION TECHNOLOGY EQUIPMENT INCLUDING
ELECTRICAL BUSINESS EQUIPMENT

Network Camera – Models: FD9367-HTV, FD9367-EHTV,
FD9367-HV, FD9167-HT, FD9167-H

Have been investigated by UL in accordance with the
Standard(s) indicated on this Certificate.

Standard(s) for Safety: UL 60950-1 and CAN/CSA C22.2 No. 60950-1-07 -
Information Technology Equipment - Safety - Part 1:
General Requirements

Additional Information: See the UL Online Certifications Directory at
www.ul.com/database for additional information

Only those products bearing the UL Certification Mark should be considered as being covered by UL's
Certification and Follow-Up Service.

Look for the UL Certification Mark on the product.



Bruce Mahrenholz, Director North American Certification Program

UL LLC

Any information and documentation involving UL Mark services are provided on behalf of UL LLC (UL) or any authorized licensee of UL. For questions, please
contact a local UL Customer Service Representative at <http://ul.com/aboutul/locations/>



UL TEST REPORT AND PROCEDURE

Standard:	UL 60950-1, 2nd Edition, 2014-10-14 (Information Technology Equipment - Safety - Part 1: General Requirements) CAN/CSA C22.2 No. 60950-1-07, 2nd Edition, 2014-10 (Information Technology Equipment - Safety - Part 1: General Requirements)
Certification Type:	Listing
CCN:	NWQG, NWGQ7 (Information Technology Equipment Including Electrical Business Equipment)
Product:	Network Camera
Model:	FD9367-HTV, FD9367-EHTV, FD9367-HV, FD9167-HT, FD9167-H.
Rating:	(Optional) See Enclosure Misc. 7-01 for details.
Applicant Name and Address:	VIVOTEK INC 6TH FL, 192 LIEN CHENG RD CHUNG HO DISTRICT NEW TAIPEI 235 TAIWAN

This is to certify that representative samples of the products covered by this Test Report have been investigated in accordance with the above referenced Standards. The products have been found to comply with the requirements covering the category and the products are judged to be eligible for Follow-Up Service under the indicated Test Procedure. The manufacturer is authorized to use the UL Mark on such products which comply with this Test Report and any other applicable requirements of UL LLC ('UL') in accordance with the Follow-Up Service Agreement. Only those products which properly bear the UL Mark are considered as being covered by UL's Follow-Up Service under the indicated Test Procedure.

The applicant is authorized to reproduce the referenced Test Report provided it is reproduced in its entirety.

Any information and documentation involving UL Mark services are provided on behalf of UL LLC (UL) or any authorized licensee of UL.

Prepared by: Terence She

Reviewed by: Stanley Tsai

Supporting Documentation

The following documents located at the beginning of this Procedure supplement the requirements of this Test Report:

- A. Authorization - The Authorization page may include additional Factory Identification Code markings.
- B. Generic Inspection Instructions -
 - i. Part AC details important information which may be applicable to products covered by this Procedure. Products described in this Test Report must comply with any applicable items listed unless otherwise stated in the body of this Test Report.
 - ii. Part AE details any requirements which may be applicable to all products covered by this Procedure. Products described in this Test Report must comply with any applicable items listed unless otherwise stated in the body of each Test Report.
 - iii. Part AF details the requirements for the UL Certification Mark which is not controlled by the technical standard used to investigate these products. Products are permitted to bear only the Certification Mark(s) corresponding to the countries for which it is certified, as indicated in each Test Report.

Product Description

The equipment is a Class III Network Camera, consists of electronic components mounted on PWB and is equipped with a progressive scan CMOS sensor then housed within plastic/metal enclosure, also provides RJ45, and Terminal block, which is used to connect external input/output devices. The EUT installs to the wall or ceiling. The power source can choose to use POE or external power adapter.

Model Differences

See Enclosure Misc. 7-01 for detail.

Technical Considerations

- Equipment mobility : stationary
- Connection to the mains : not directly connected to the mains
- Operating condition : continuous
- Access location : operator accessible
- Over voltage category (OVC) : N/A
- Mains supply tolerance (%) or absolute mains supply values : No direct connection
- Tested for IT power systems : No
- IT testing, phase-phase voltage (V) : N/A
- Class of equipment : Class III (supplied by SELV)
- Considered current rating of protective device as part of the building installation (A) : N/A
- Pollution degree (PD) : PD 2
- IP protection class : IP X0
- Altitude of operation (m) : Up to 2000
- Altitude of test laboratory (m) : Below 2000
- Mass of equipment (kg) : 0.48 kg (For Models FD9167-HT, FD9167-H); 0.88 kg(For Models FD9367-HTV, FD9367-EHTV, FD9367-HV)
- The product was submitted and evaluated for use at the maximum ambient temperature (T_{ma}) permitted by the manufacturer's specification of: 50°C
- The product was investigated to the following additional standards: CSA/UL60950-22 - Equipment to be Installed Outdoors,

- The following circuit locations (with circuit/schematic designation) were investigated as a limited power source (LPS): All output ports
- The following are available from the Applicant upon request: Installation (Safety) Instructions / Manual
- The outdoor equipment/enclosure was evaluated for use in an ambient range of: -50°C to 50°C for model FD9367-EHTV;; -30°C to 50°C for models FD9367-HTV, FD9367-HV
- LEDs provided in the product are considered low power devices: No
- Based upon the product specification provided by the manufacturer, this unit is intended to be supplied by an UL Listed power source suitable for use at Tma 50 degree C whose output meets SELV, LPS and is rated PoE 37-57Vdc, 0.27-0.18A; 12Vdc, 1.75A (for models FD9167-HT, FD9367-HTV); rated PoE 42.5-57Vdc, 0.59-0.44A; 12V, 1.59A (for model FD9367-EHTV); rated PoE 37-57Vdc, 0.19-0.13A; 12Vdc, 0.5A (for models FD9167-H, FD9367-HV)
- For the compliance with UL 60950-22, all interconnecting cables are to be routed inside UL Listed flexible conduits marked "outdoor".
- This equipment is to be connected only to PoE networks without routing to the outside plant.

Additional Information

N/A

Additional Standards

The product fulfills the requirements of: N/A

Markings and instructions

Clause Title	Marking or Instruction Details
Inter-connecting cables - External detachable	Listee's Name and Part number (Marking or Instruction)
Power rating - Company identification	Listee's or Recognized company's name, Trade Name, Trademark or File Number
Power rating - Model	Model Number
Instruction/Installation/Safety	<p>Instruction/Installation/Safety Manual shall be shipped with unit with following statements:</p> <p>If the power adapter doesn't ship with the unit, the user manual shall have the description as below or equivalent: "This product is intended to be supplied by a Listed Power Adapter with LPS, rated PoE 37-57Vdc, 0.27-0.18A; 12Vdc, 1.75A (for models FD9167-HT, FD9367-HTV); rated PoE 42.5-57Vdc, 0.59-0.44A; 12V, 1.59A (for model FD9367-EHTV); rated PoE 37-57Vdc, 0.19-0.13A; 12Vdc, 0.5A (for models FD9167-H, FD9367-HV). If need further assistance with purchasing the DC power adapter please contact supplier for further information."</p> <p>"This equipment is to be connected only to PoE networks without routing to the outside plant." or similar wording.</p>

Wall/Ceiling Mount instruction	See enclosure 6-01 and 6-02.
--------------------------------	------------------------------

Special Instructions to UL Representative

The Field Representative should verify the Tma (maximum ambient temperature) is minimum 50 degree C, whose output meets SELV, LPS and is rated PoE 37-57Vdc, 0.27-0.18A; 12Vdc, 1.75A (for models FD9167-HT, FD9367-HTV); rated PoE 42.5-57Vdc, 0.59-0.44A; 12V, 1.59A (for model FD9367-EHTV); rated PoE 37-57Vdc, 0.19-0.13A; 12Vdc, 0.5A (for models FD9167-H, FD9367-HV) output from the updated version of UL reports for power adapter which was/were certified by UL 60950-1, 2nd edition, 2014-10-14 (provided from customer).

Production-Line Testing Requirements

Electric Strength Test Special Constructions - Refer to Generic Inspection Instructions, Part AC for further information.

Model	Component	Removable Parts	Test probe location	V rms	V dc	Test Time, s
-	-	-	-	-	-	-

Earthing Continuity Test Exemptions - This test is not required for the following models:

All models

Electric Strength Test Exemptions - This test is not required for the following models:

All models

Electric Strength Test Component Exemptions - The following solid-state components may be disconnected from the remainder of the circuitry during the performance of this test:

-

Sample and Test Specifics for Follow-Up Tests at UL

Model	Component	Material	Test	Sample(s)	Test Specifics
-	-	-	-	-	-

1.5.1	TABLE: list of critical components					Pass
Object/part or Description	Manufacturer/ trademark	type/model	technical data	Product Category CCN(s)	Required Marks of Conformity	Supplement ID
01.Label	--	--	Min. 65 degree C to metal or plastic surface	PGDQ2 or PGJ12	UL	
02. POE adaptor (optional)	--	--	O/P: 37-57Vdc, 0.19-0.13A minimum. Tma = 50 degree C. Marked with "LPS" or "Limited Power Source" or complied with "Limited Power Source" checked by inspection.	QQGQ	UL	
02a. AC adaptor (optional)	--	--	O/P: 12Vdc, 1.59 A minimum. Tma = 50 degree C. Marked with "LPS" or "Limited Power Source" or complied with "Limited Power Source" checked by inspection.	QQGQ	UL	
03. Metal enclosure (for FD9367-HTV, FD9367-EHTV, FD9367-HV)	--	--	Aluminum, 3.0 mm thickness minimum. Overall see Enclosure/ Diagrams ID 4-01 for details.	--	--	
04. Plastic enclosure (for FD9167-HT, FD9167-H)	Sabic Japan L L C	943 (f1)	V-2, 2.5 mm thickness minimum., 120 degree C, Overall see Enclosure/ Diagrams ID 4-02 for details.	QMFZ2 (E121562)	--	
05. Lens cover (for Models FD9167-HT, FD9167-H)	Teijin Limited Resin And Plastic	L-1225Z (#1)(f1)	HB, 2.5 mm min., 115 degree C min., Overall see Enclosure/ Diagrams ID 4-07 for details.	QMFZ2(E50075)	UL	
05a. Lens cover (for Models FD9367-HTV, FD9367-EHTV, FD9367-HV)	Teijin Limited Resin And Plastic	L-1225Z (#1)(f1)	HB, 2.5 mm min., 115 degree C min., Overall see Enclosure/ Diagrams ID 4-08 for details.	QMFZ2(E50075)	UL	
06. PWB	--	--	V-1 or better, minimum 130 degree C	ZPMV2	UL	
07.O-ring (Between plastic lens	Momentive Performance	TSE2186U(aq)	Silicone rubber. Overall see Enclosure/	QMFZ2(E56745)	UL	

cover and metal enclosure) (for FD9367-HTV, FD9367-EHTV, FD9367-HV)	Materials Japan L L C		Diagrams ID 4-03 for details.			
07.O-ring (Between top enclosure and bottom enclosure) (for FD9367-HTV, FD9367-EHTV, FD9367-HV)	Momentive Performance Materials Japan L L C	TSE2186U(aq)	Silicone rubber. Overall see Enclosure/ Diagrams ID 4-04 for details.	QMFZ2(E56745)	UL	
08. O-ring for Cable Glands (for Hole of LAN cable) (for FD9367-HTV, FD9367-EHTV, FD9367-HV)	AVC Industrial Corp.	E12P (AVC)	Silicone rubber. Overall see Enclosure/ Diagrams ID 4-05 for details.	JUML2(MH48567)	UL	
09. Hole plug (for Hole of General I/O terminal block) (for FD9367-HTV, FD9367-EHTV, FD9367-HV)	Momentive Performance Materials Japan L L C	TSE2186U(aq)	Silicone rubber. Overall see Enclosure/ Diagrams ID 4-06 for details.	QMFZ2(E56745)	UL	
10. POE transformer (T1)	Matrix-corporation	MESE015	105 degree C.	--	--	
11.IR LED	Lextar	PR88F03	VF=1.7V, IF=0.7A180mW/sr850 nm	--	--	
11a.IR LED (alternate)	Lextar	PR35F0A	VF=1.6V, IF=0.7A210mW/sr850 nm	--	--	
12. Electric double layer capacitor (BT1)	ELNA Co.,Ltd.	DX Series	Rated 5.5Vdc, 0.33F. Protected by diode and resistor rated minimum 1K ohm.	--	--	
13. Interconnecting Cable (Optional)	--	--	Maximum length 3.05 m. FEP, PTFE, PVC, TFE, neoprene, polyimide or rated VW-1 or FT-1. Minimum 80 degree C. Minimum 30 V.	AVLV2	UL	
13a. Interconnecting Cable (Optional)	--	--	Type CMP or CMR or CMG or CM or CMX or CMUC or CMH, 3.05 m long maximum.	DUXR or DUZX	UL	

14. Internal Wiring (SELV)	--	--	FEP, PTFE, PVC, TFE, neoprene, polyimide or marked VW-1; minimum 30 V, 60 degree C.	AVLV2	UL	
15. Connectors and Receptacles (Sec.), (SELV)	--	--	Minimum 30 V	ECBT2, RTRT2, DUXR2	UL	
15a. Connectors and Receptacles (Sec.) (SELV) (Alternate)	Various	Various	Copper alloy pins housed in bodies of (QMFZ2), and V-2 minimum.	QMFZ2	UL	
16. Internal Plastic Part/Materials	Various	Various	Rated HB minimum.	QMFZ2	UL	
17. Wall-mount kit (optional)	--	--	Metal. See Enclosure ID 4-09 for dimension detail.	--	--	

Enclosures

<u>Type</u>	<u>Supplement Id</u>	<u>Description</u>
Photographs	3-01	Overall views-1 (for models FD9167-HT, FD9167-H)
Photographs	3-02	Overall views-2 (for models FD9167-HT, FD9167-H)
Photographs	3-03	Overall views-1 (for models FD9367-HTV, FD9367-EHTV, FD9367-HV)
Photographs	3-04	Overall views-2 (for models FD9367-HTV, FD9367-EHTV, FD9367-HV)
Photographs	3-05	Internal views-1 (for models FD9167-HT, FD9167-H)
Photographs	3-06	Internal views-2 (for models FD9167-HT, FD9167-H)
Photographs	3-07	Internal views-1 (for models FD9367-HTV, FD9367-EHTV, FD9367-HV)
Photographs	3-08	Internal views-2 (for models FD9367-EHTV)
Photographs	3-09	Internal views-2 (for model FD9367-HTV)
Photographs	3-10	Internal views-2 (for model FD9367-HV)
Photographs	3-11	Mainboard top side views-1 (for models FD9167-HT, FD9167-H, FD9367-HTV, FD9367-HV)
Photographs	3-12	Mainboard top side views-1 (for model FD9367-EHTV)
Photographs	3-13	Mainboard bottom side view
Photographs	3-14	Sensor board views-1 (for models FD9167-HT, FD9167-H, FD9367-HTV, FD9367-HV)
Photographs	3-15	Sensor board views-1 (for model FD9367-EHTV)
Photographs	3-16	Sensor board views-2
Photographs	3-17	IR LED board views-1 (for models FD9167-HT, FD9167-H, FD9367-EHTV)
Photographs	3-18	IR LED board views-1 (for model FD9367-HTV)
Photographs	3-19	IR LED board views-2 (for models FD9167-HT, FD9167-H, FD9367-EHTV, FD9367-HTV)
Diagrams	4-01	Enclosure drawing for models FD9367-HTV, FD9367-EHTV, FD9367-HV
Diagrams	4-02	Enclosure drawing for model FD9167-HT, FD9167-H
Diagrams	4-03	O-ring drawing (Between plastic lens cover and metal enclosure for models FD9367-HTV, FD9367-EHTV, FD9367-HV)
Diagrams	4-04	O-ring drawing (Between top enclosure and bottom enclosure for models FD9367-HTV, FD9367-EHTV, FD9367-HV)
Diagrams	4-05	Cable Glands drawing (for Hole of LAN cable for models FD9367-HTV, FD9367-EHTV, FD9367-HV)
Diagrams	4-06	Hole plug drawing (for Hole of General IO terminal block for models FD9367-HTV, FD9367-EHTV, FD9367-HV)
Diagrams	4-07	Indoor lens cover (for models FD9167-HT, FD9167-H)

Diagrams	4-08	Outdoor lens cover drawing (for Models FD9367-HTV, FD9367-EHTV, FD9367-HV)
Diagrams	4-09	Wall mount kit
Manuals	6-01	Manual (for outdoor, Models FD9371-HTV, FD9371-EHTV)
Manuals	6-02	Manual (for indoor, Models FD9167-HT, FD9167-H)
Miscellaneous	7-01	Model list
Miscellaneous	7-02	Part 22 TRF

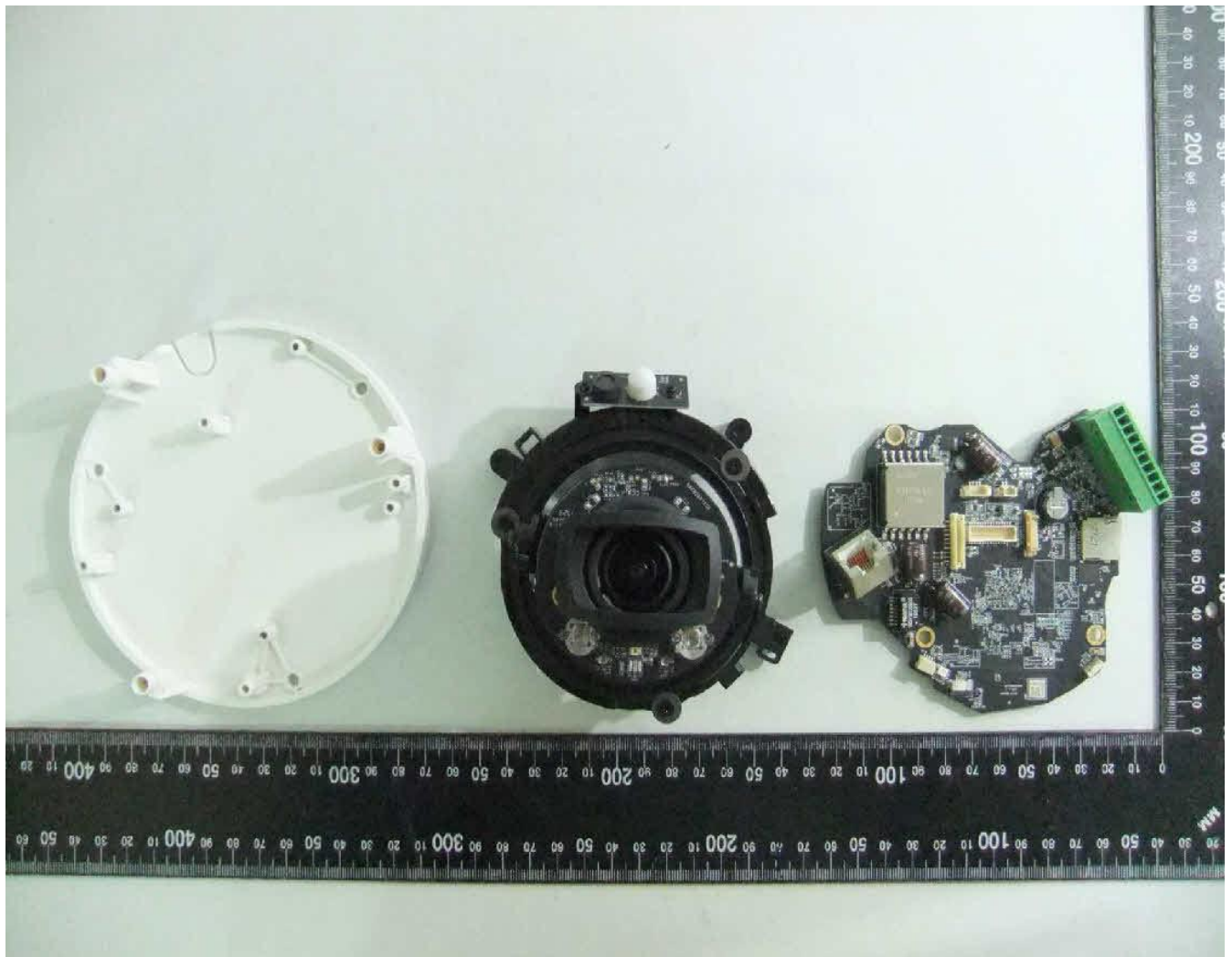


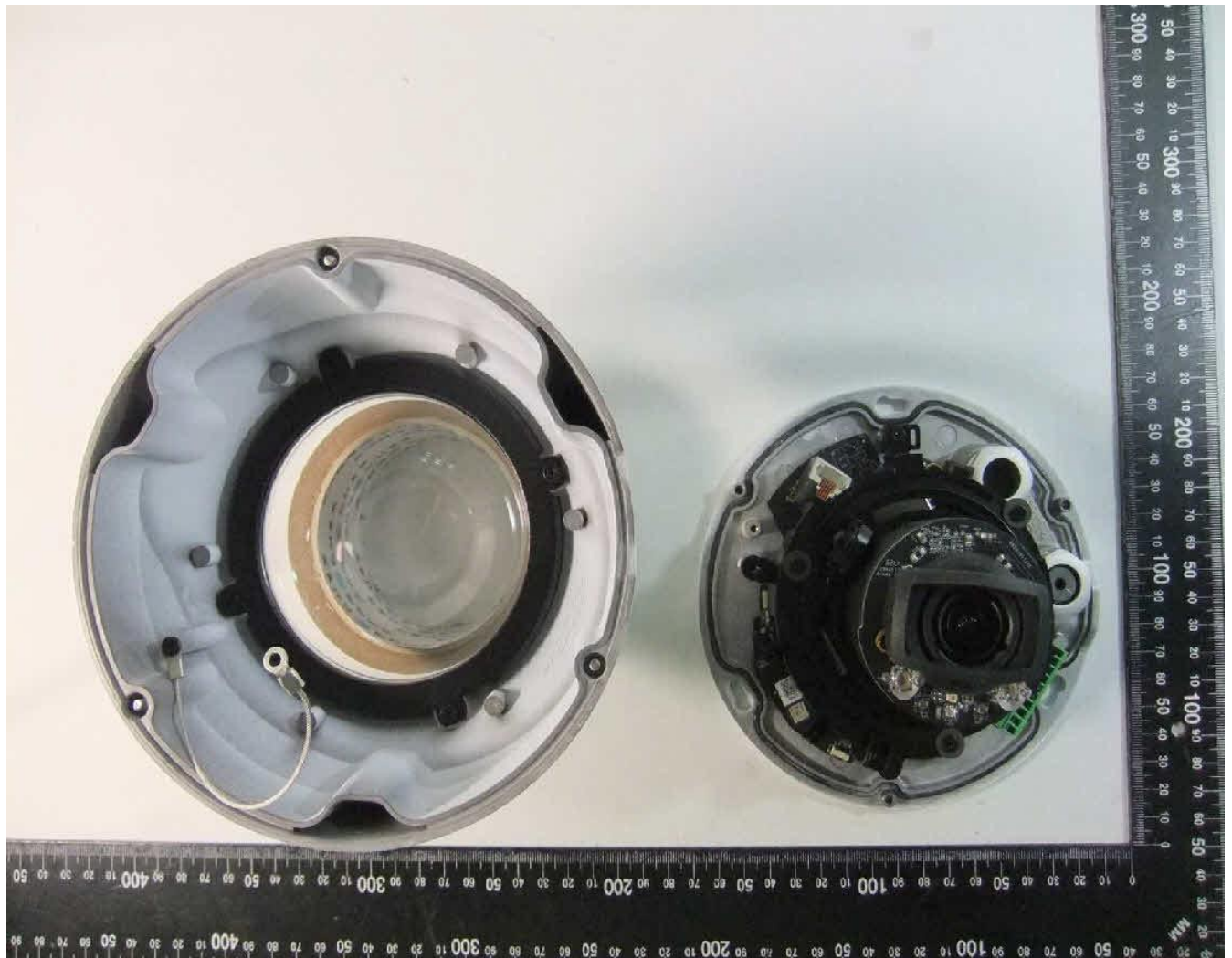


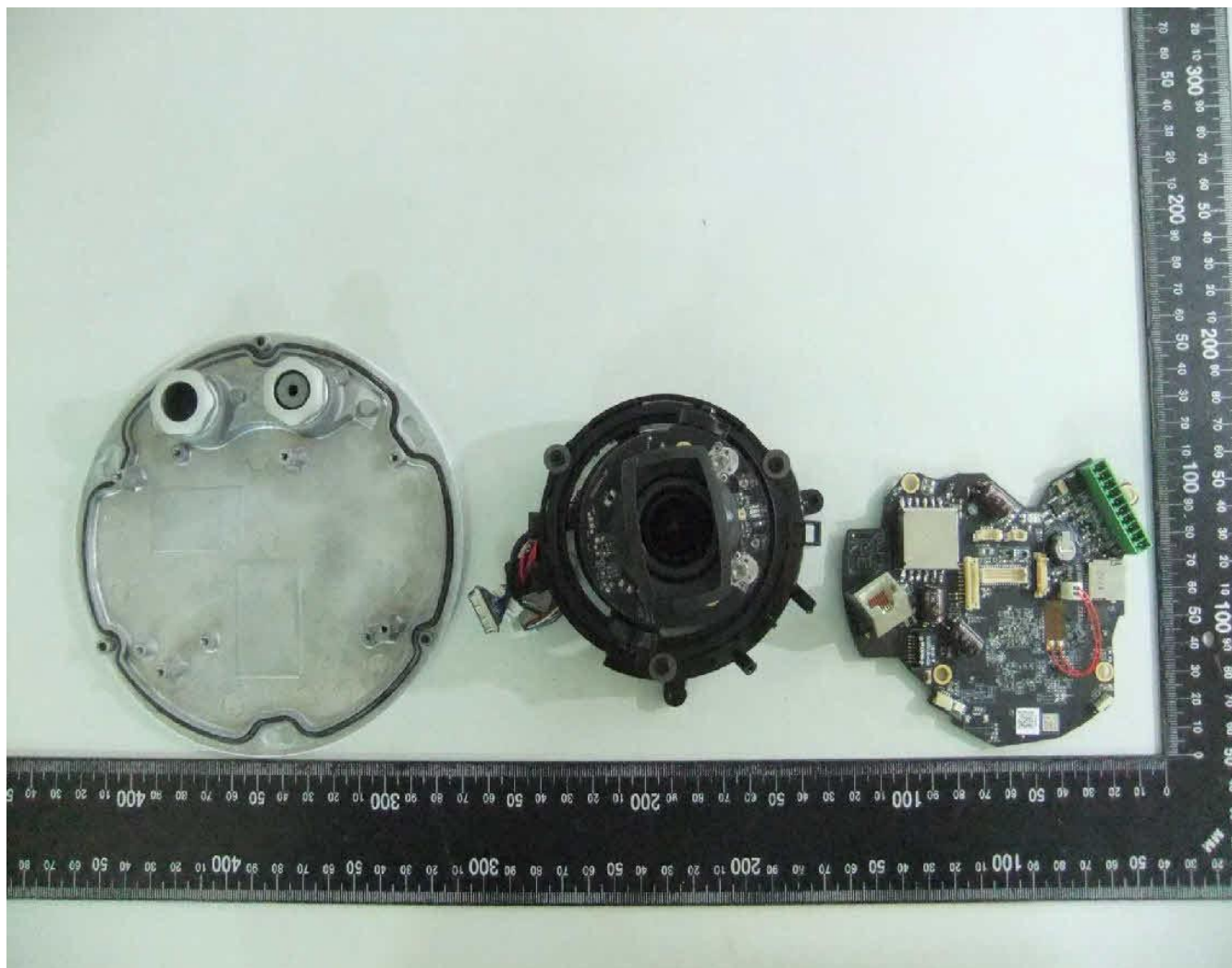


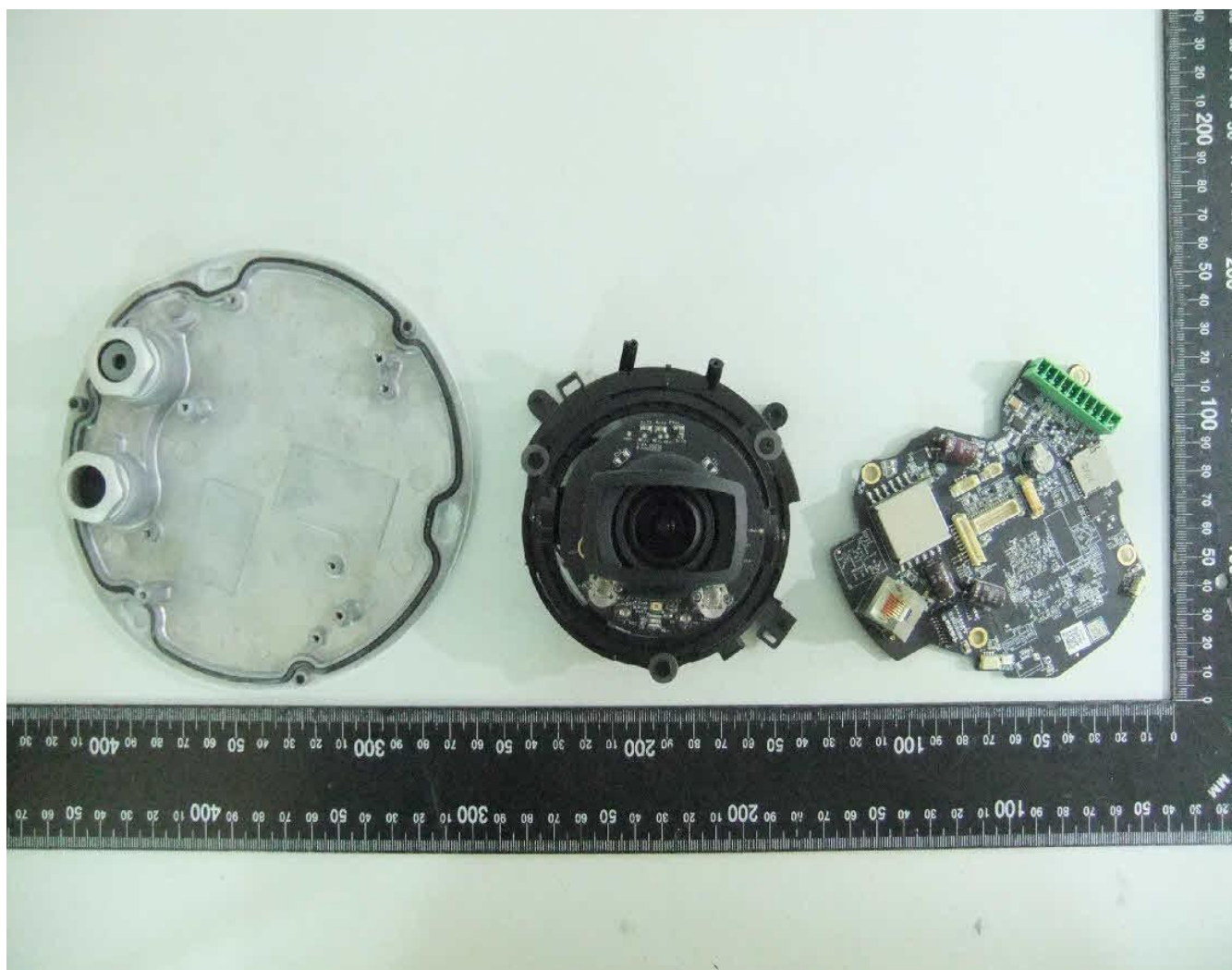


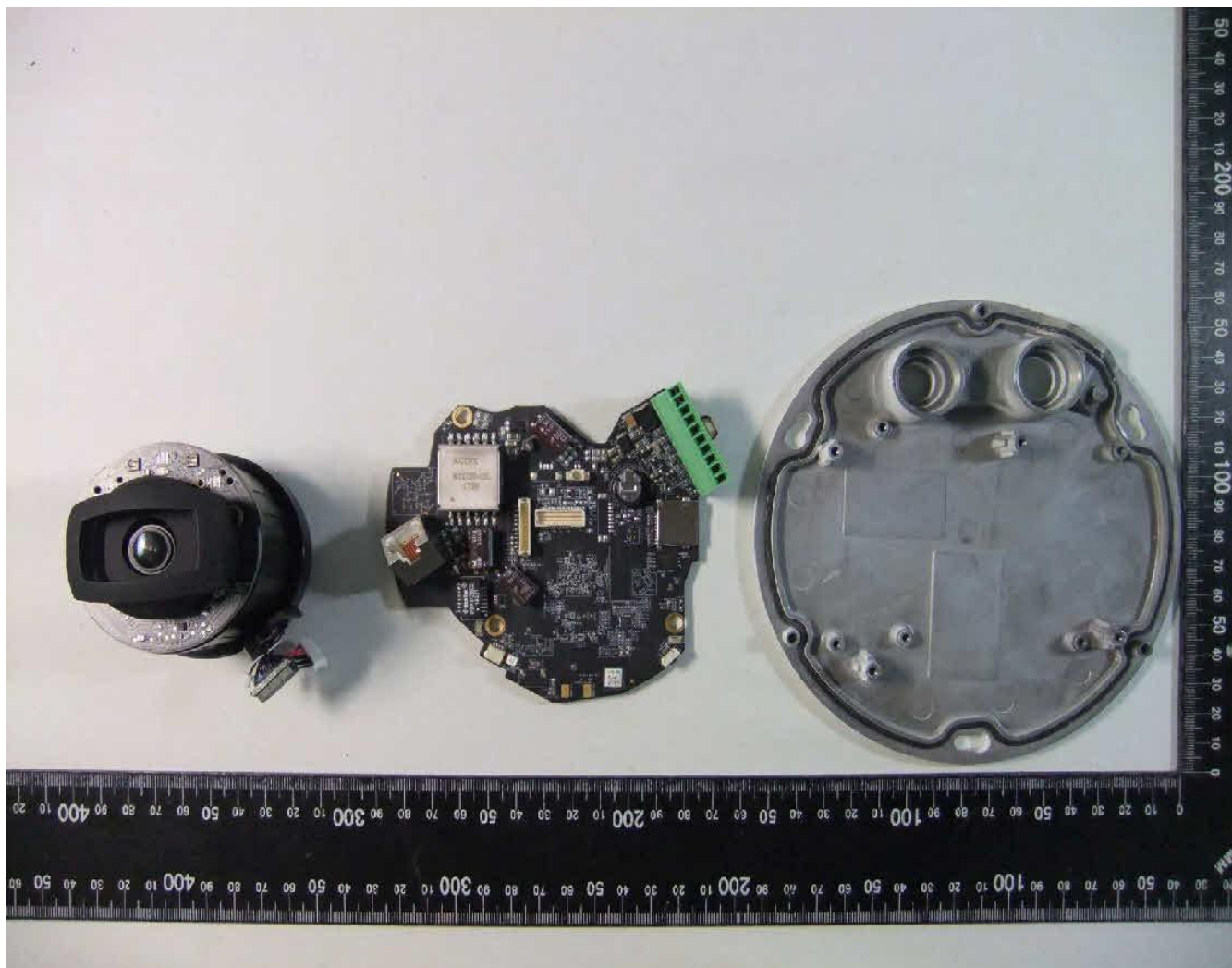


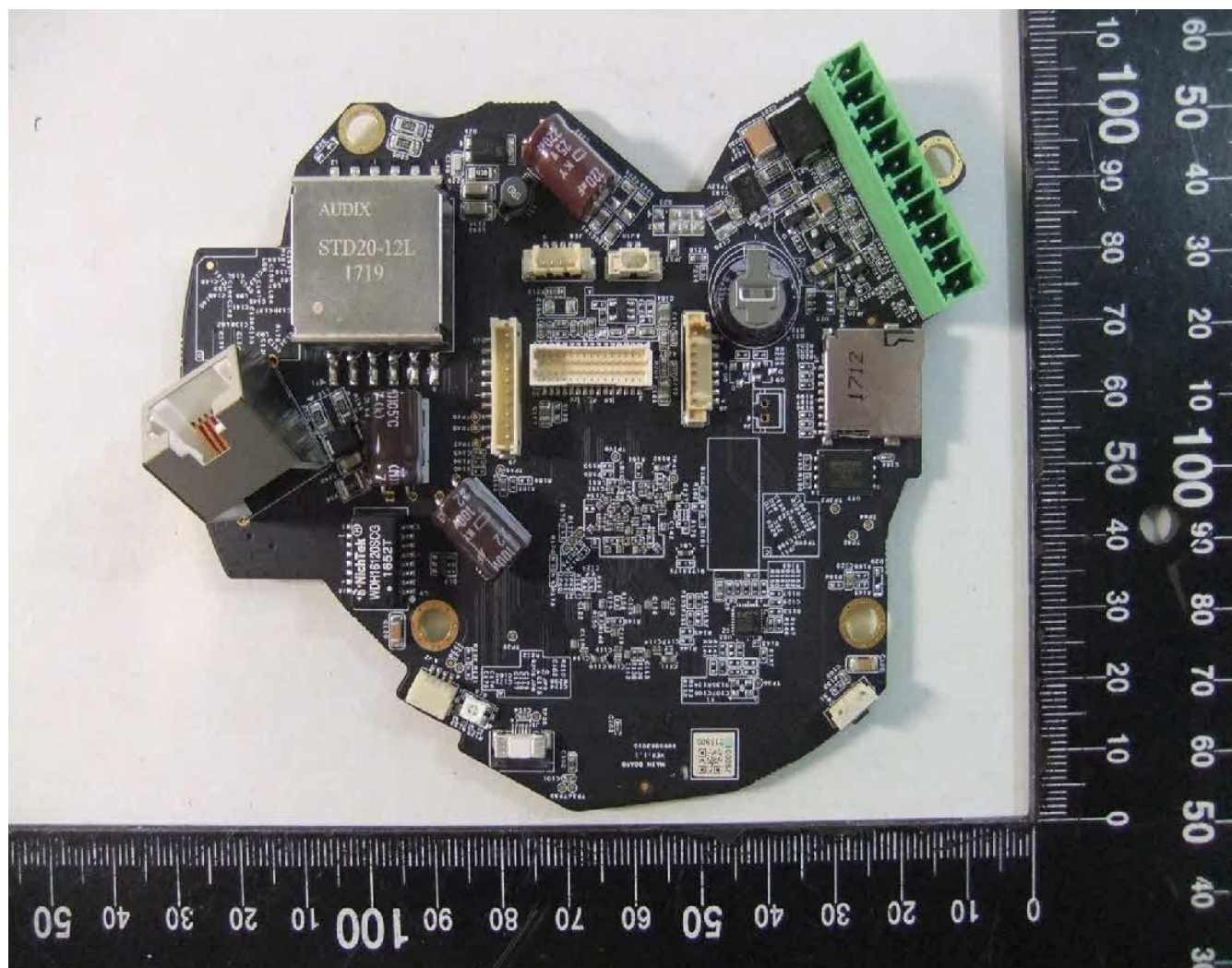


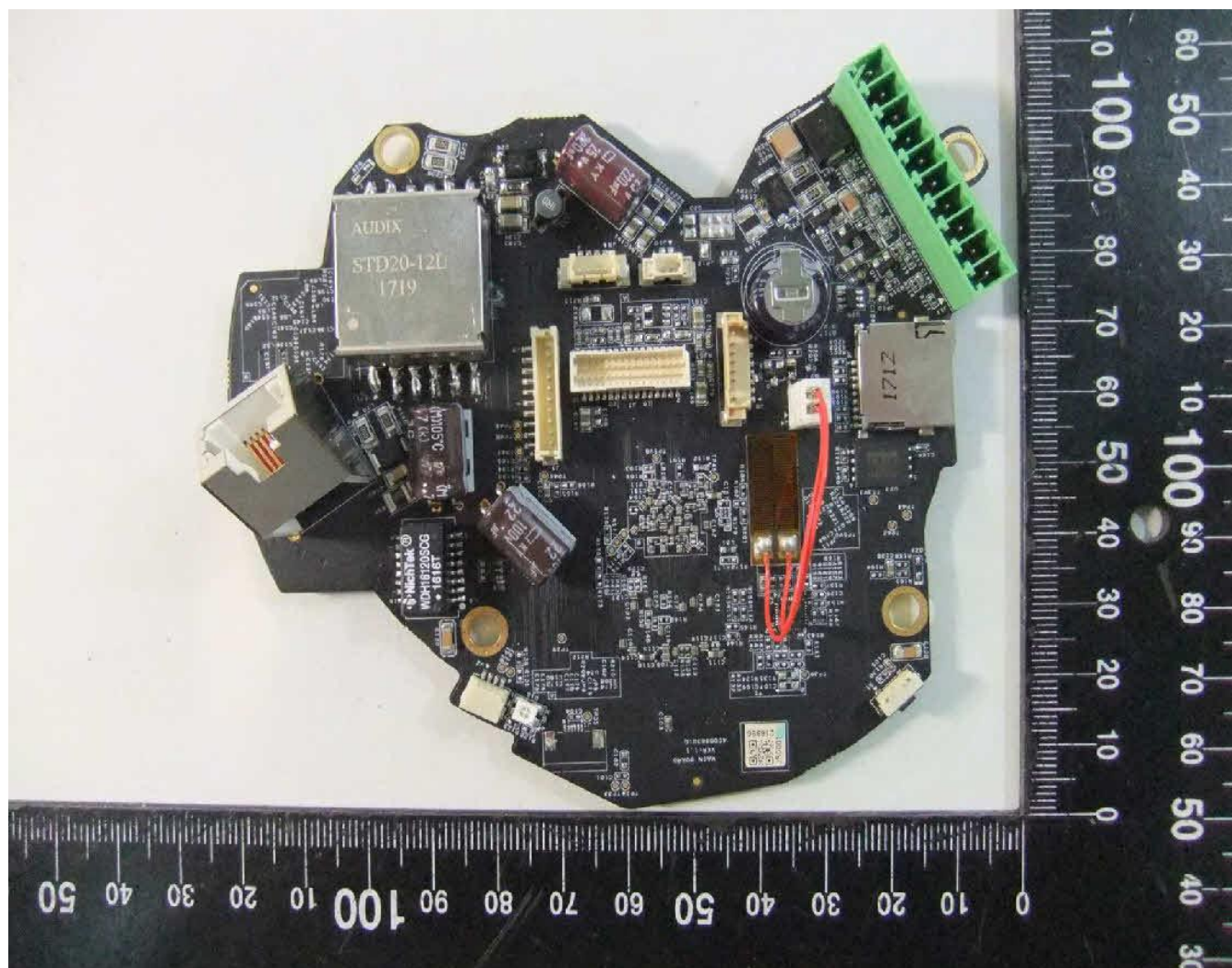


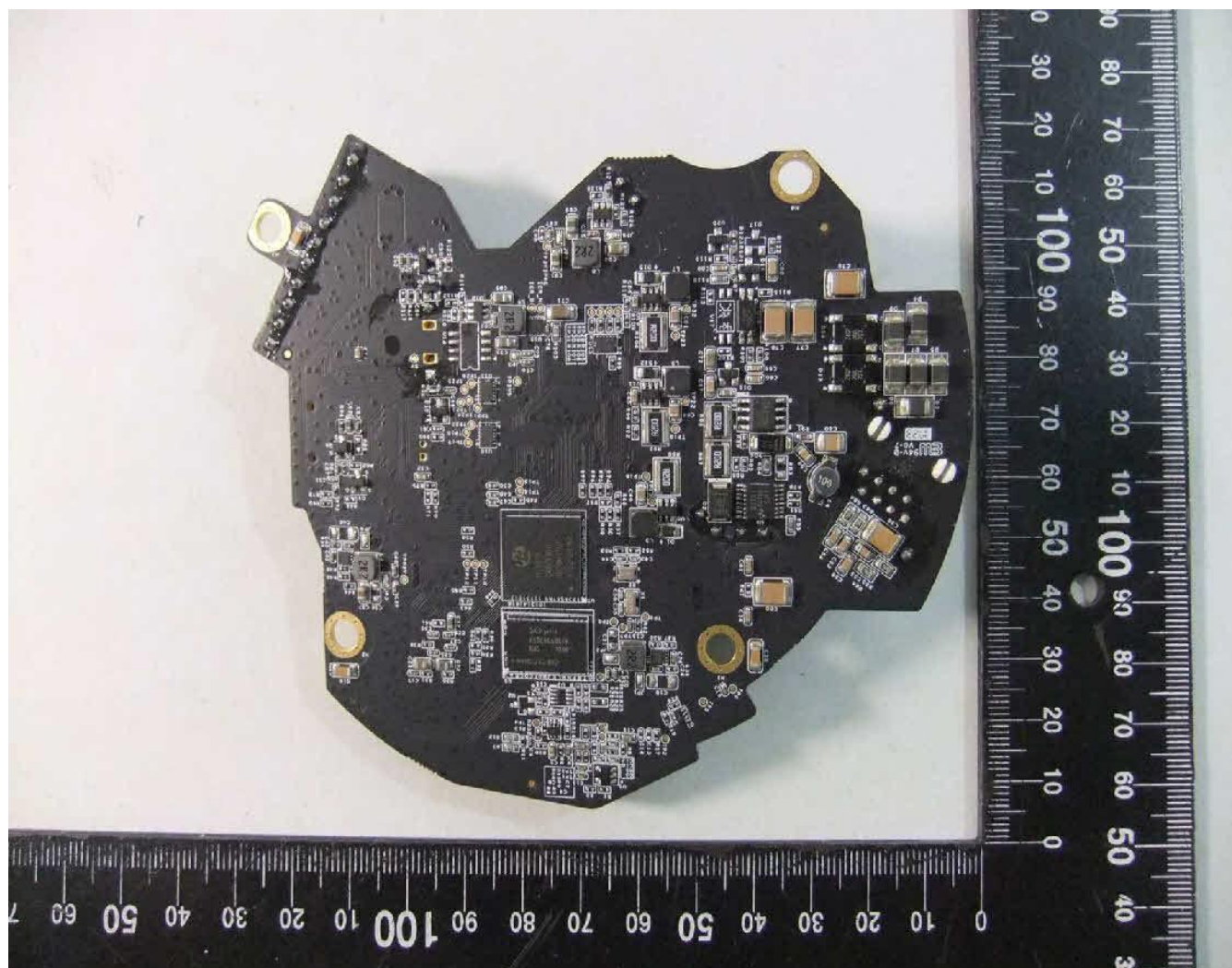


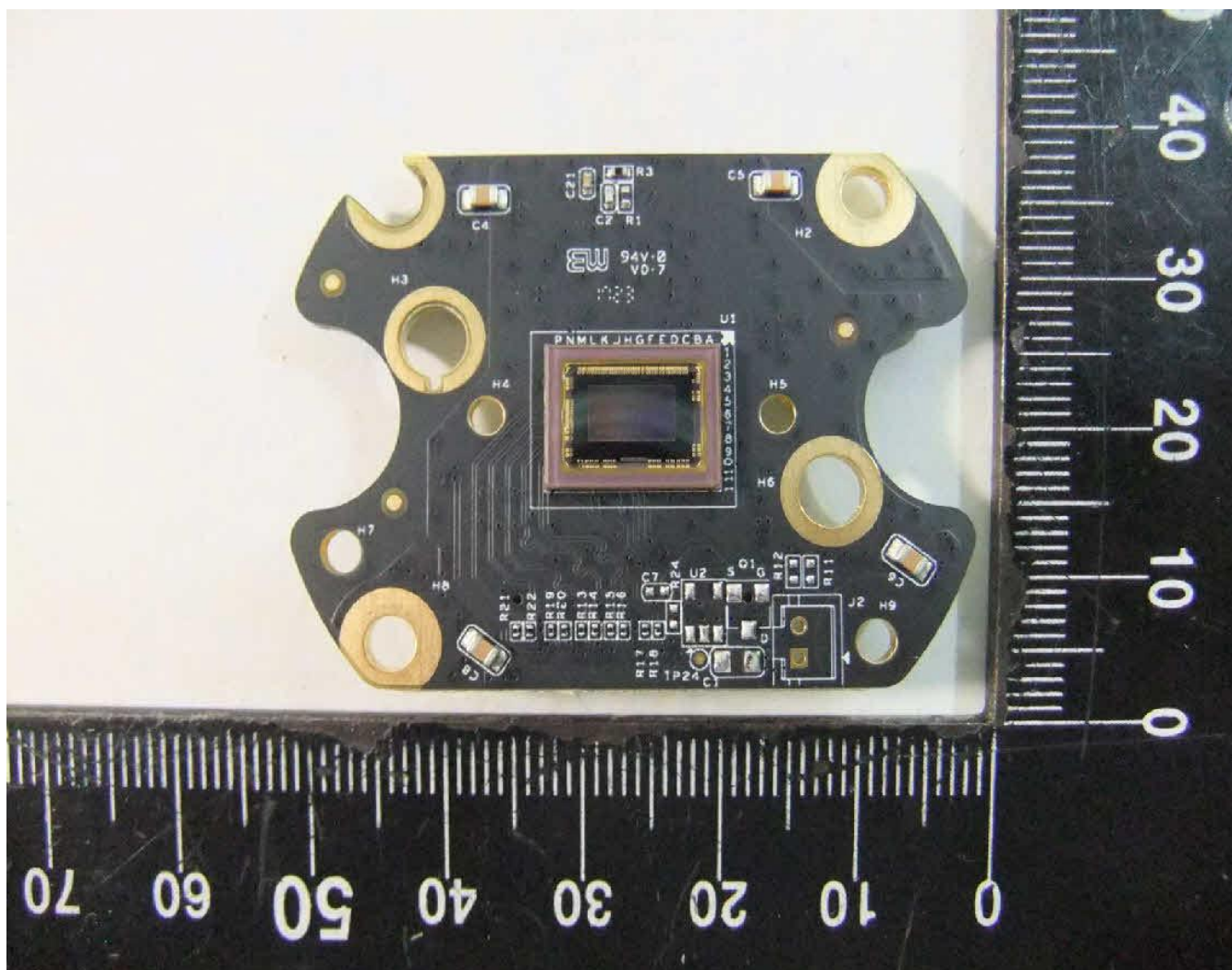


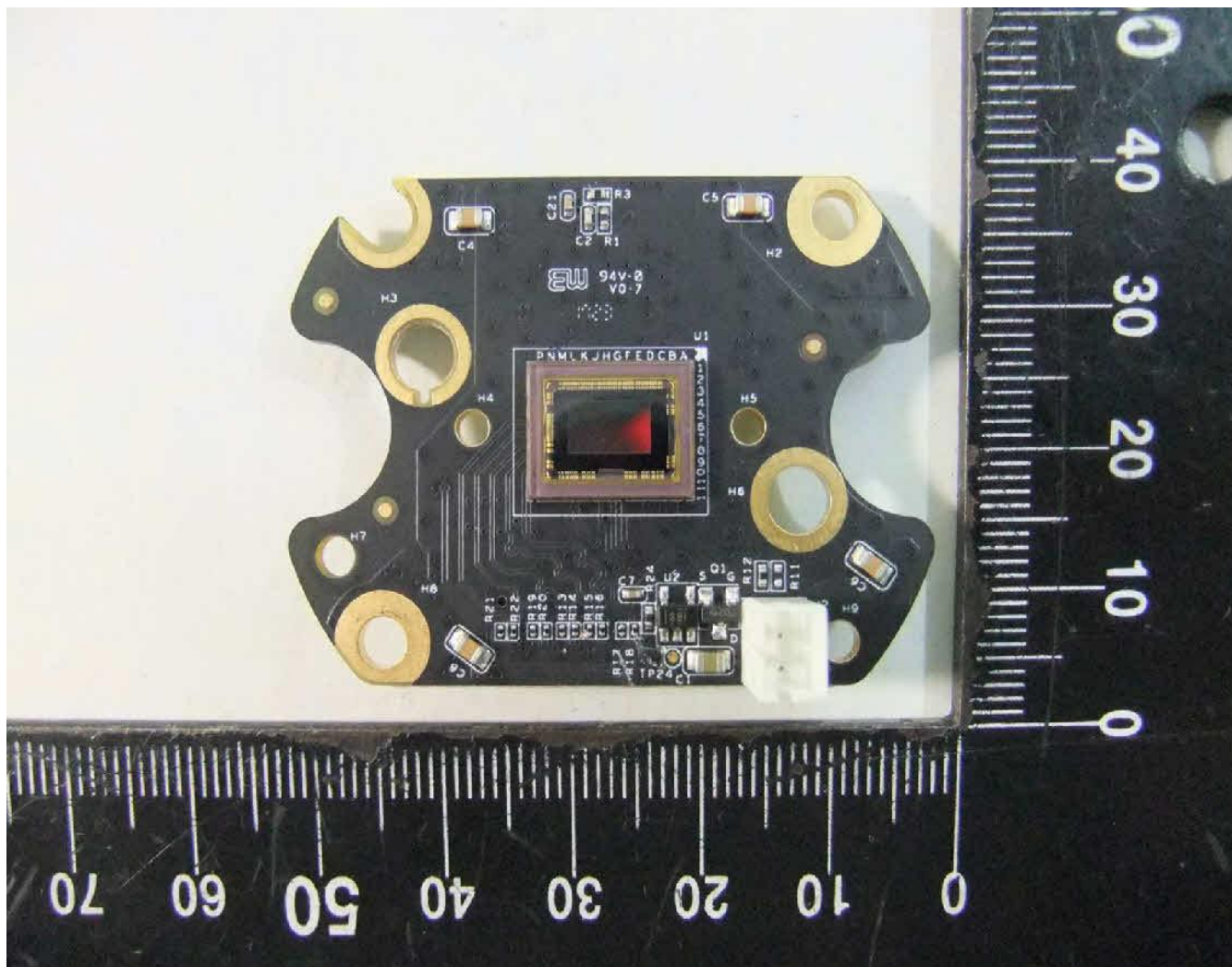


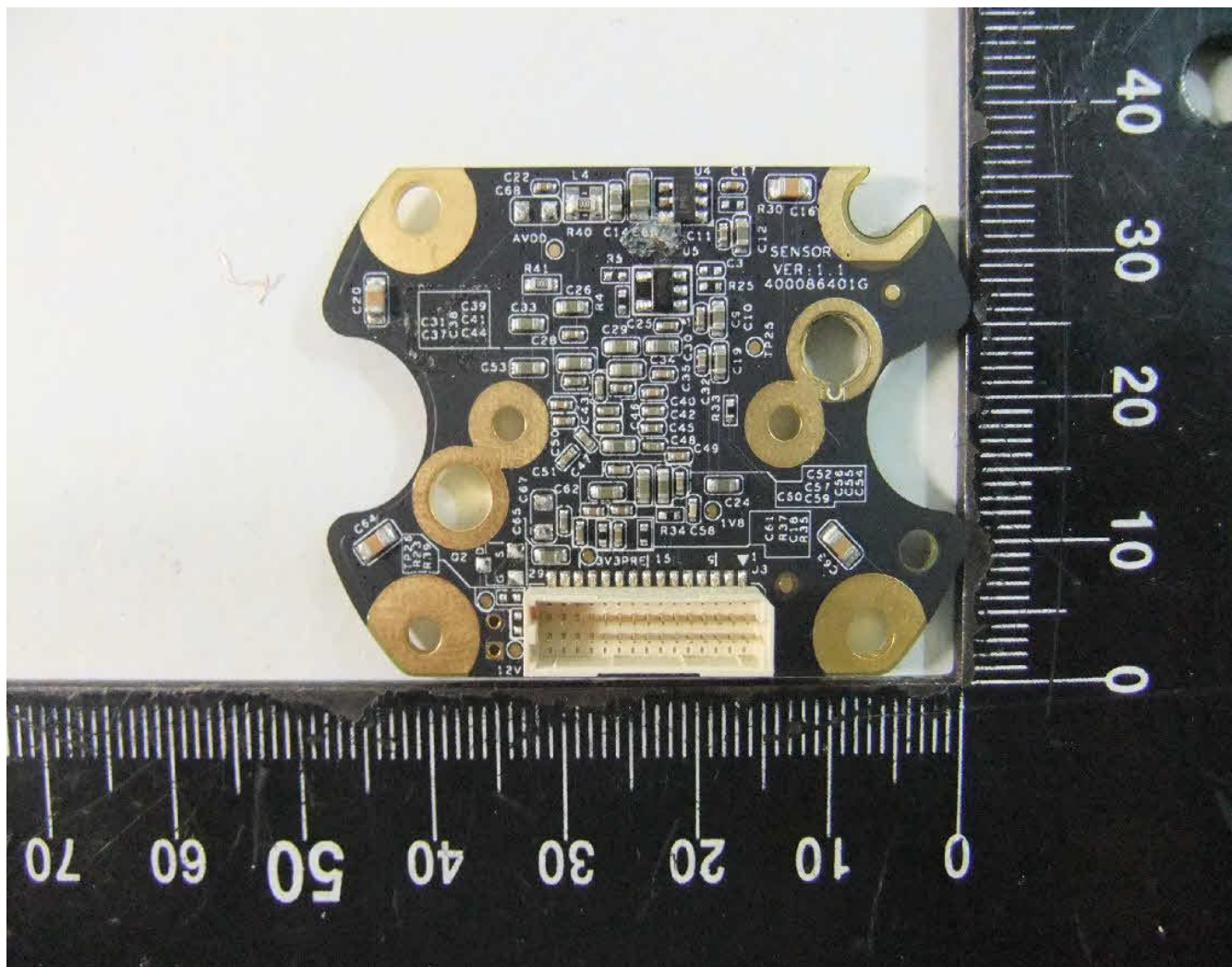


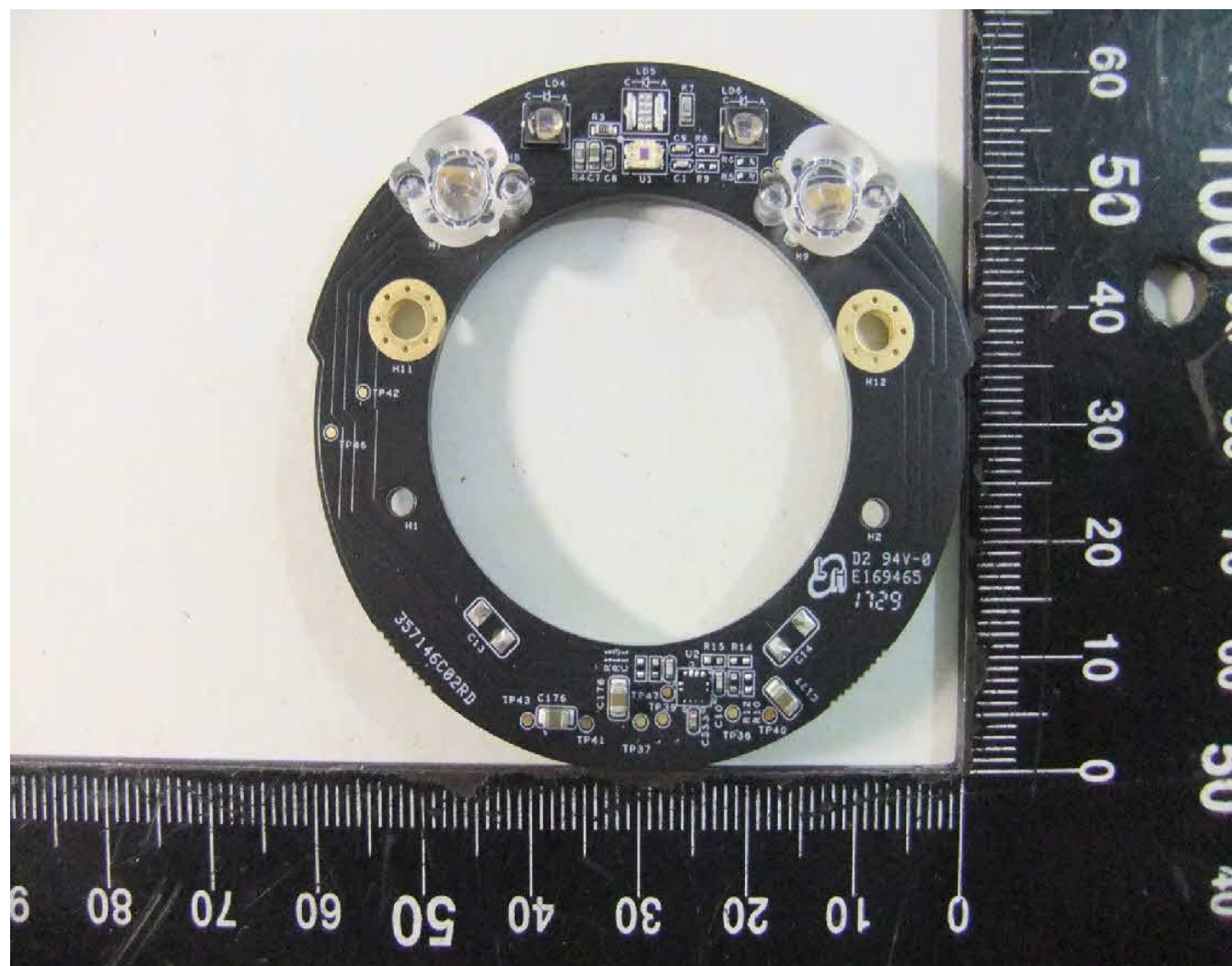


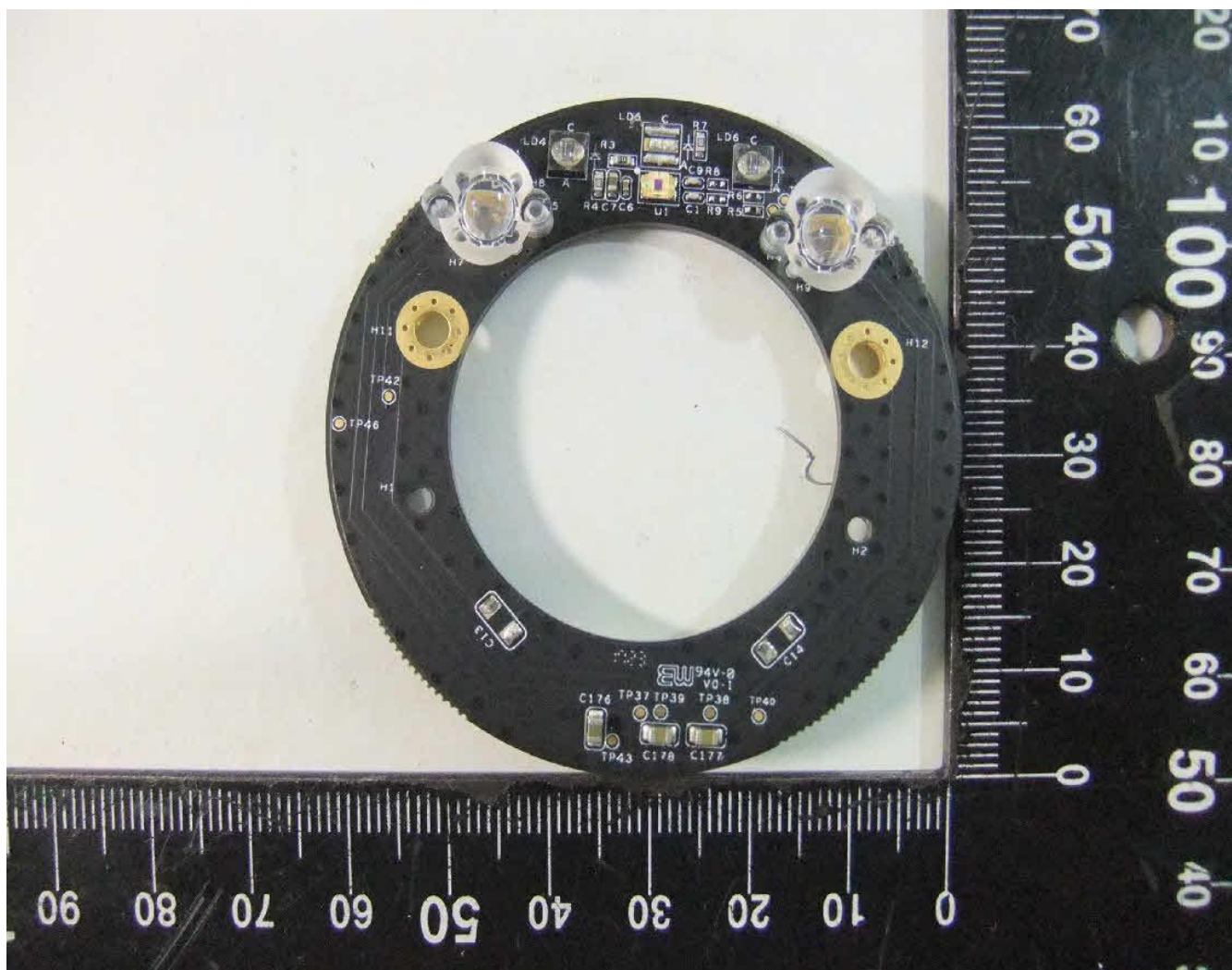


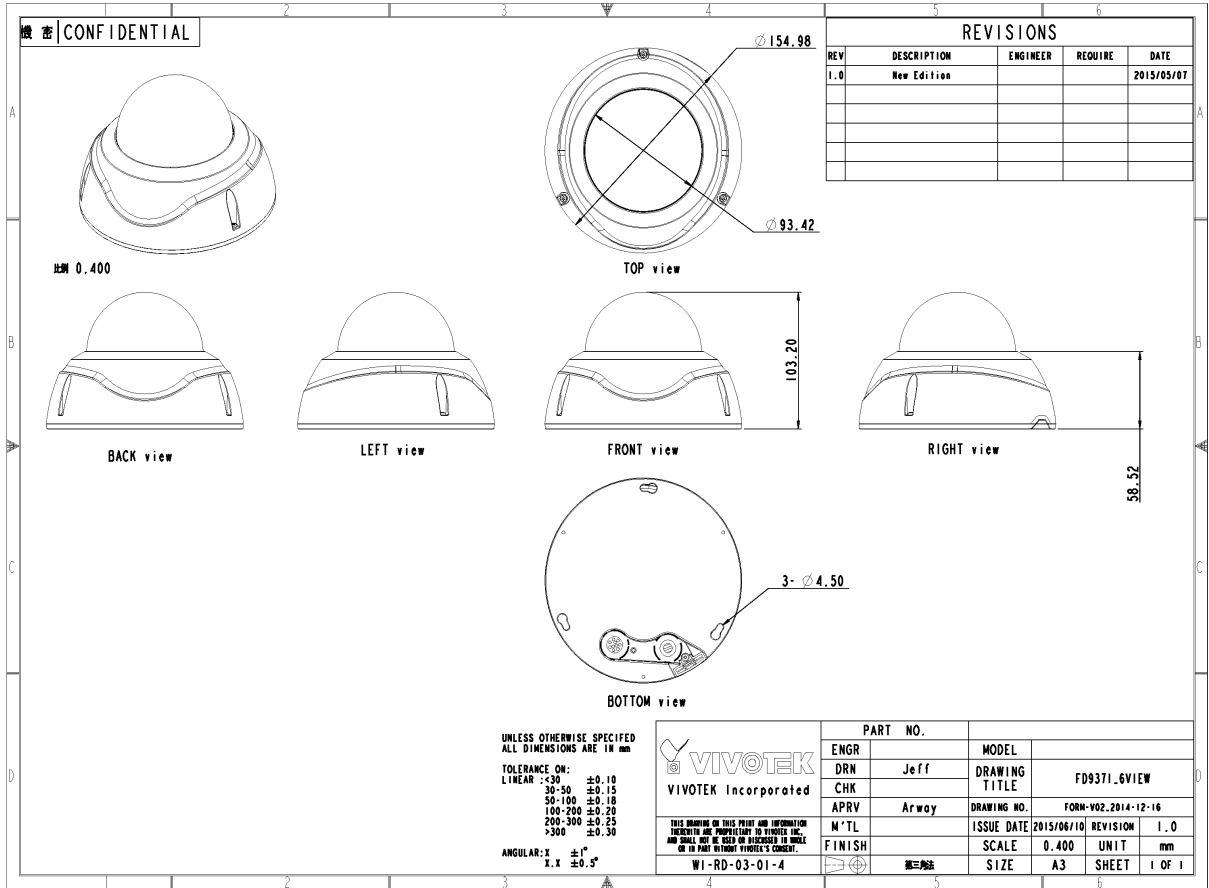


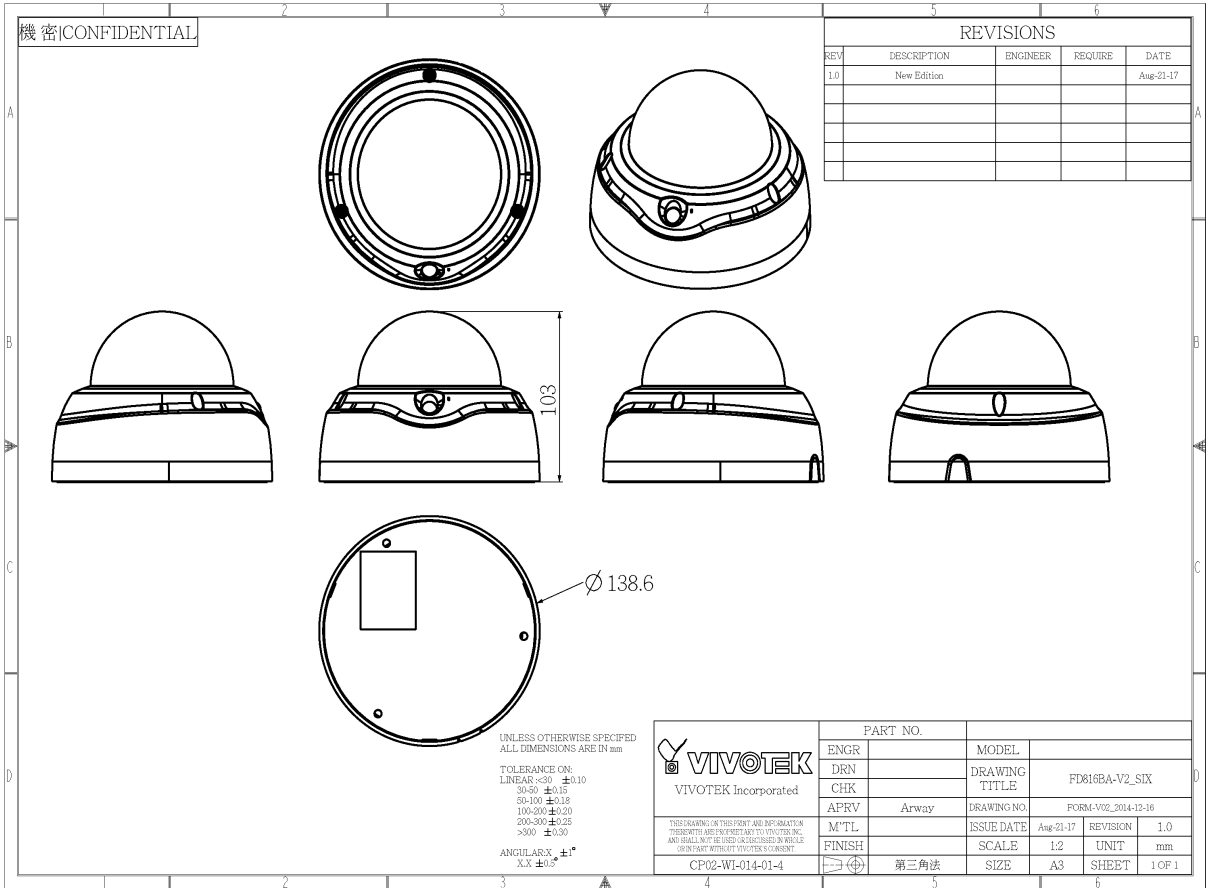


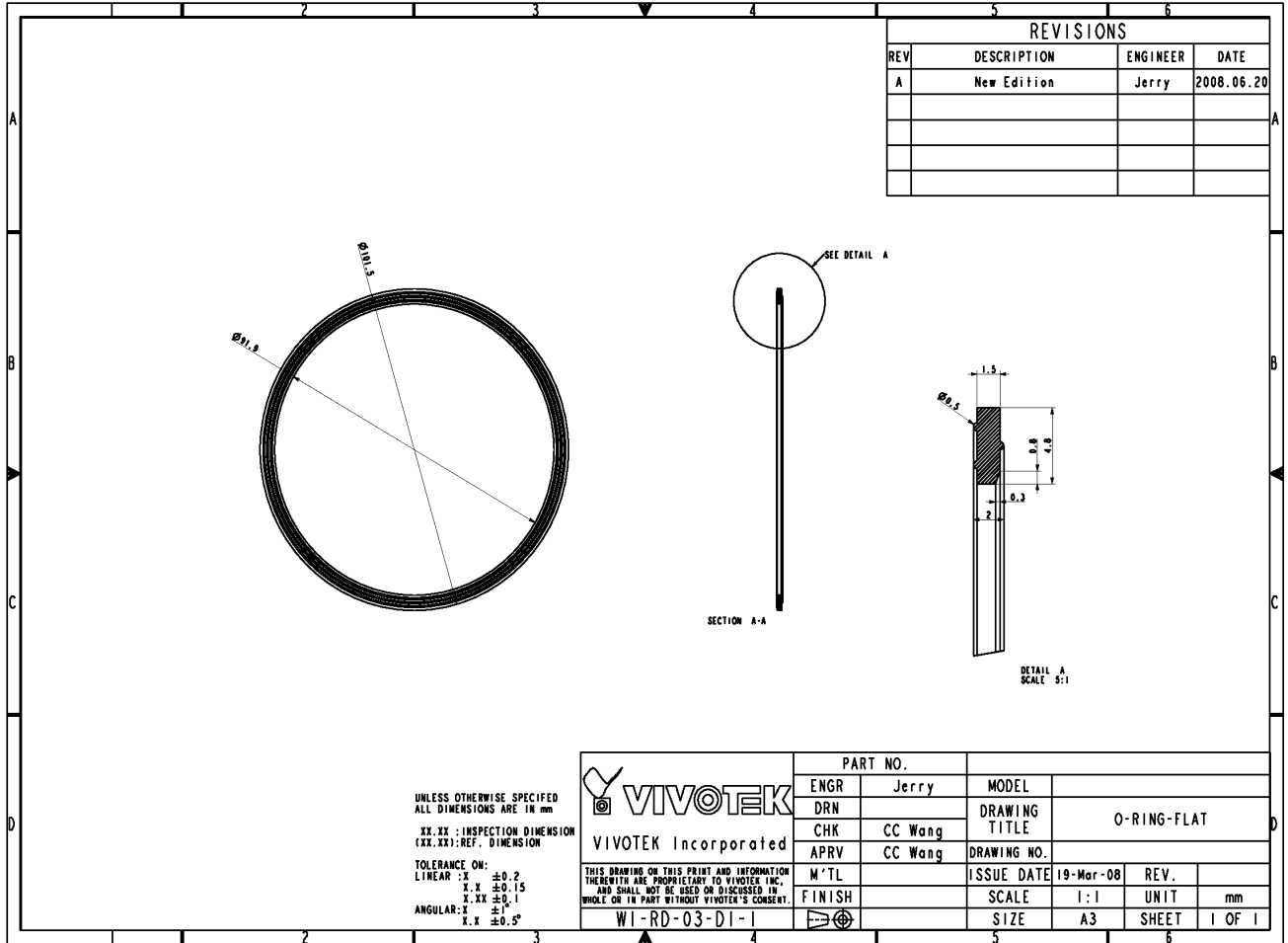












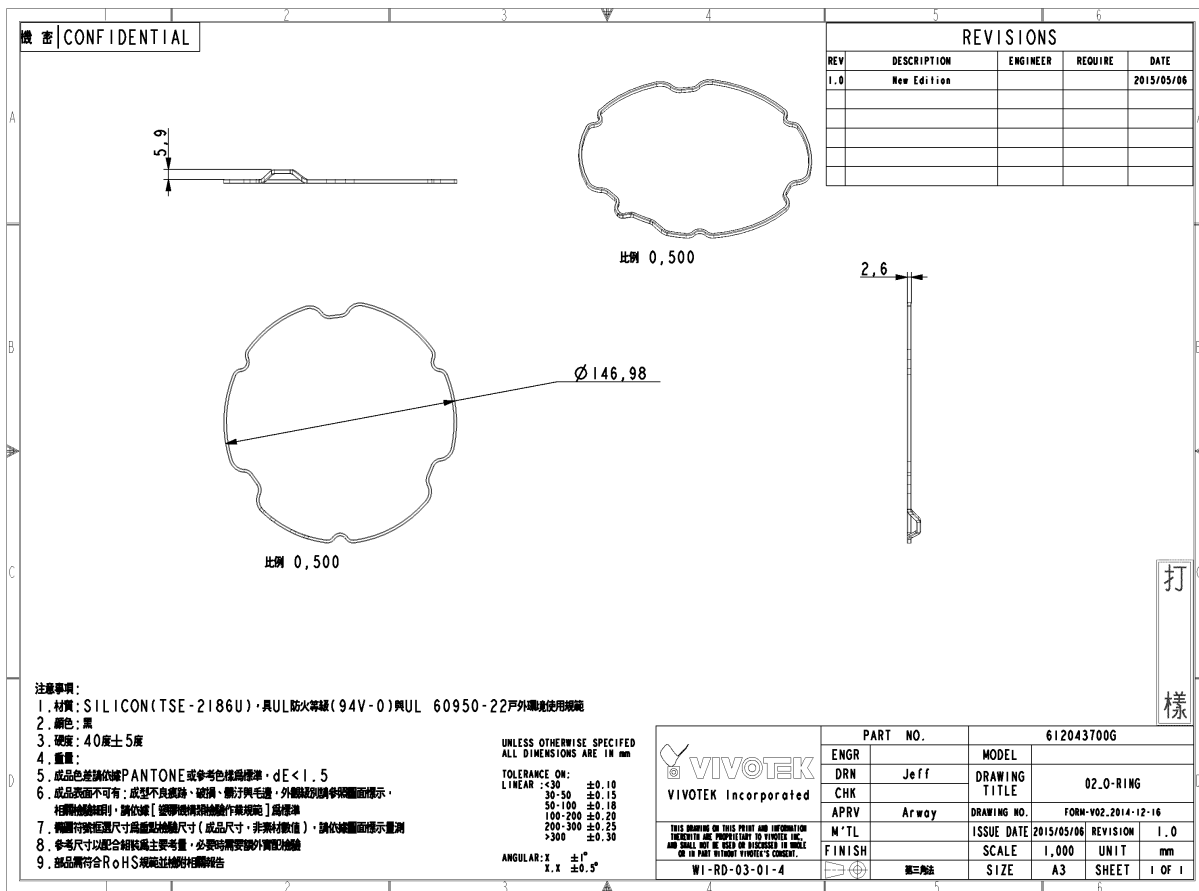
REVISIONS			
REV	DESCRIPTION	ENGINEER	DATE
A	New Edition	Jerry	2008.06.20

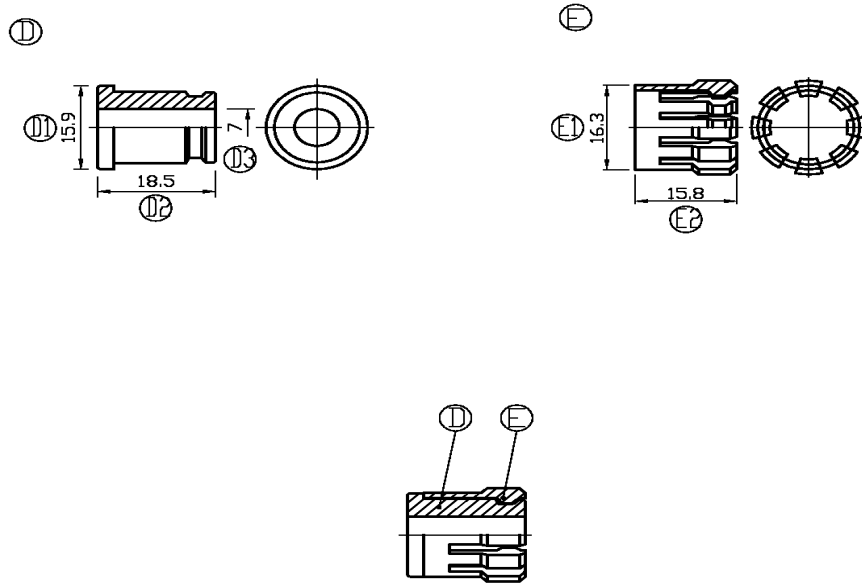
UNLESS OTHERWISE SPECIFIED
ALL DIMENSIONS ARE IN mm

XX.XX : INSPECTION DIMENSION
(XX.XX): REF. DIMENSION

TOLERANCE ON:
LINEAR : X ±0.2
 X.X ±0.15
 X.XX ±0.1
ANGULAR : X ±1°
 X.X ±0.5°

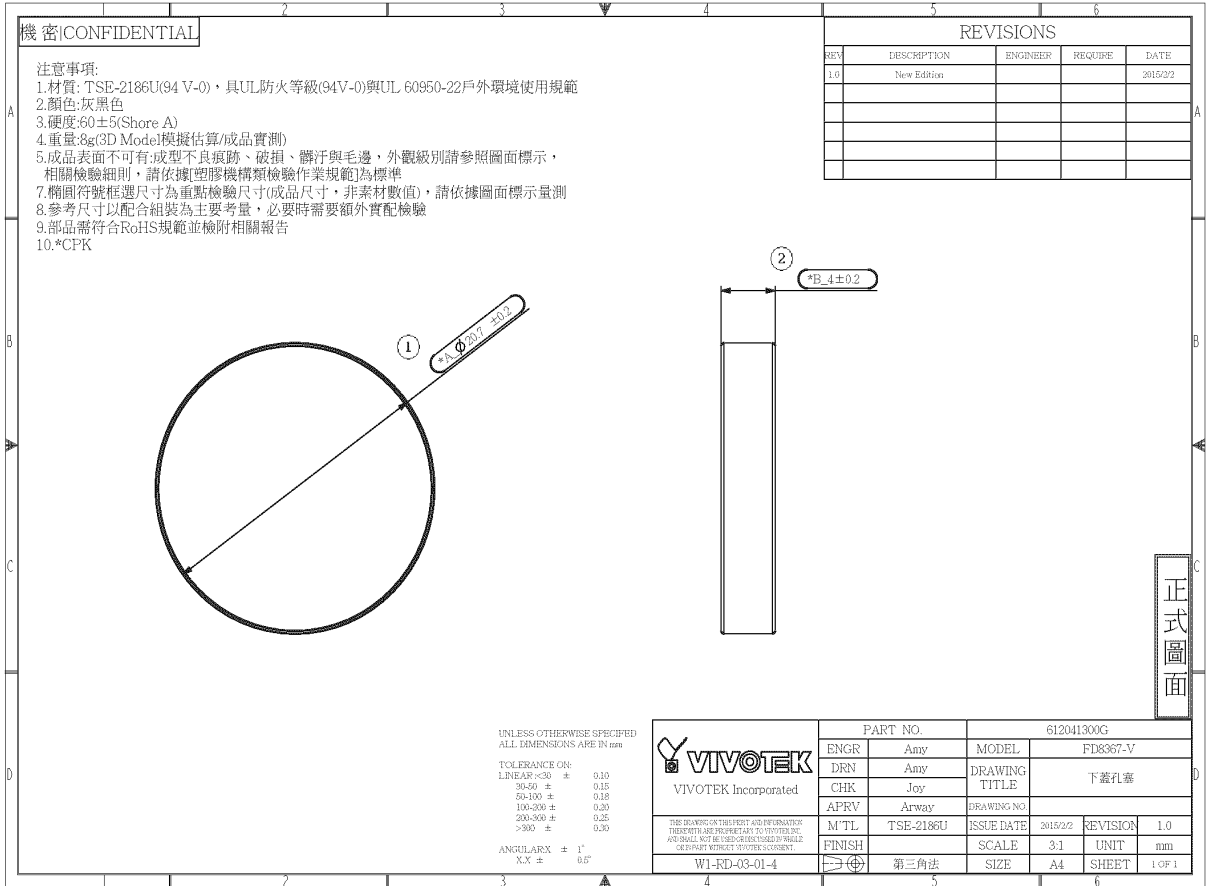
 VIVOTEK VIVOTEK Incorporated	PART NO.		MODEL			
	ENGR	Jerry	DRAWING	O-RING-FLAT		
	DRN		TITLE			
	CHK	CC Wang	DRAWING NO.			
APRV	CC Wang	M'TL	ISSUE DATE	19-Mar-08	REV.	
THIS DRAWING OR THIS PRINT AND INFORMATION THEREON ARE PROPRIETARY TO VIVOTEK INC. AND SHALL NOT BE USED OR DISCUSSED IN WHOLE OR IN PART WITHOUT VIVOTEK'S CONSENT.	FINISH	SCALE	1:1	UNIT	mm	
WI-RD-03-D1-1	SIZE	A3	SHEET	1	OF	1

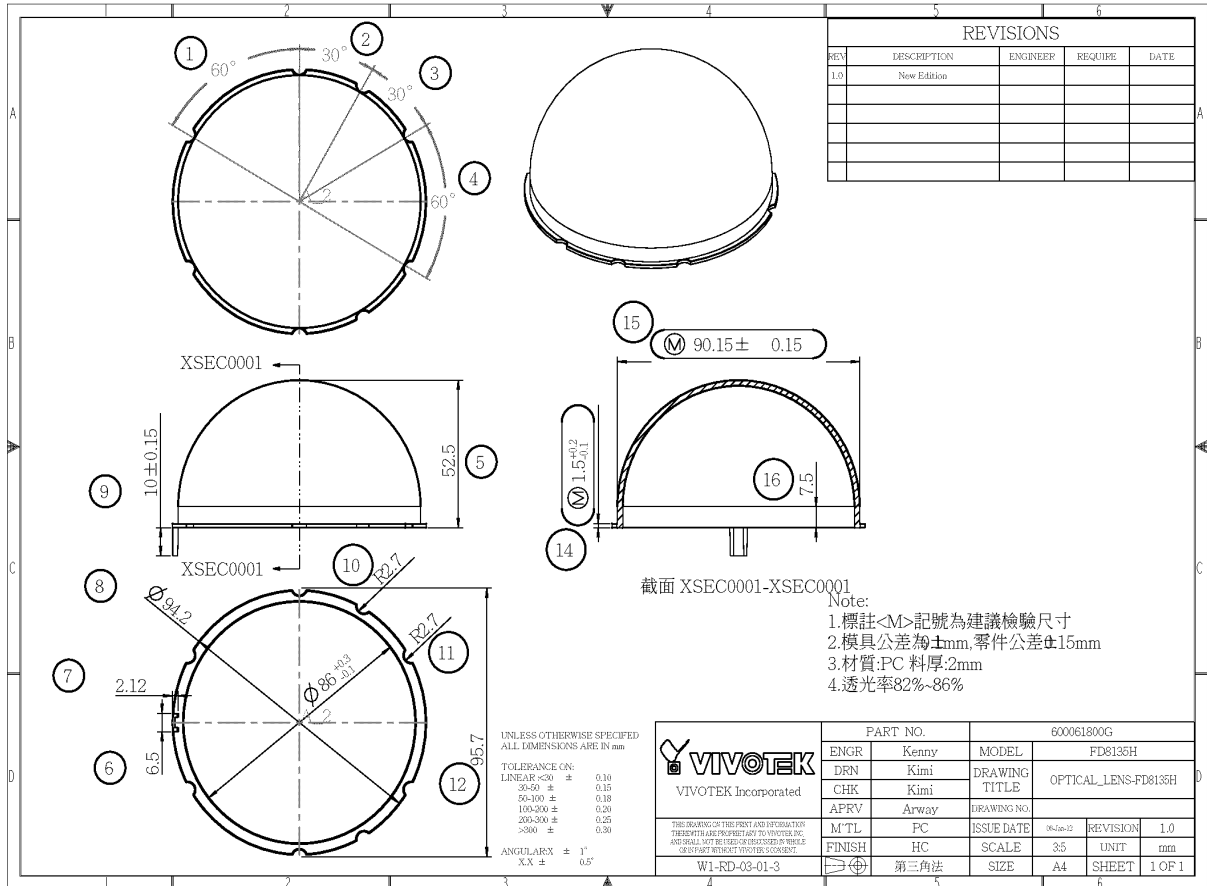


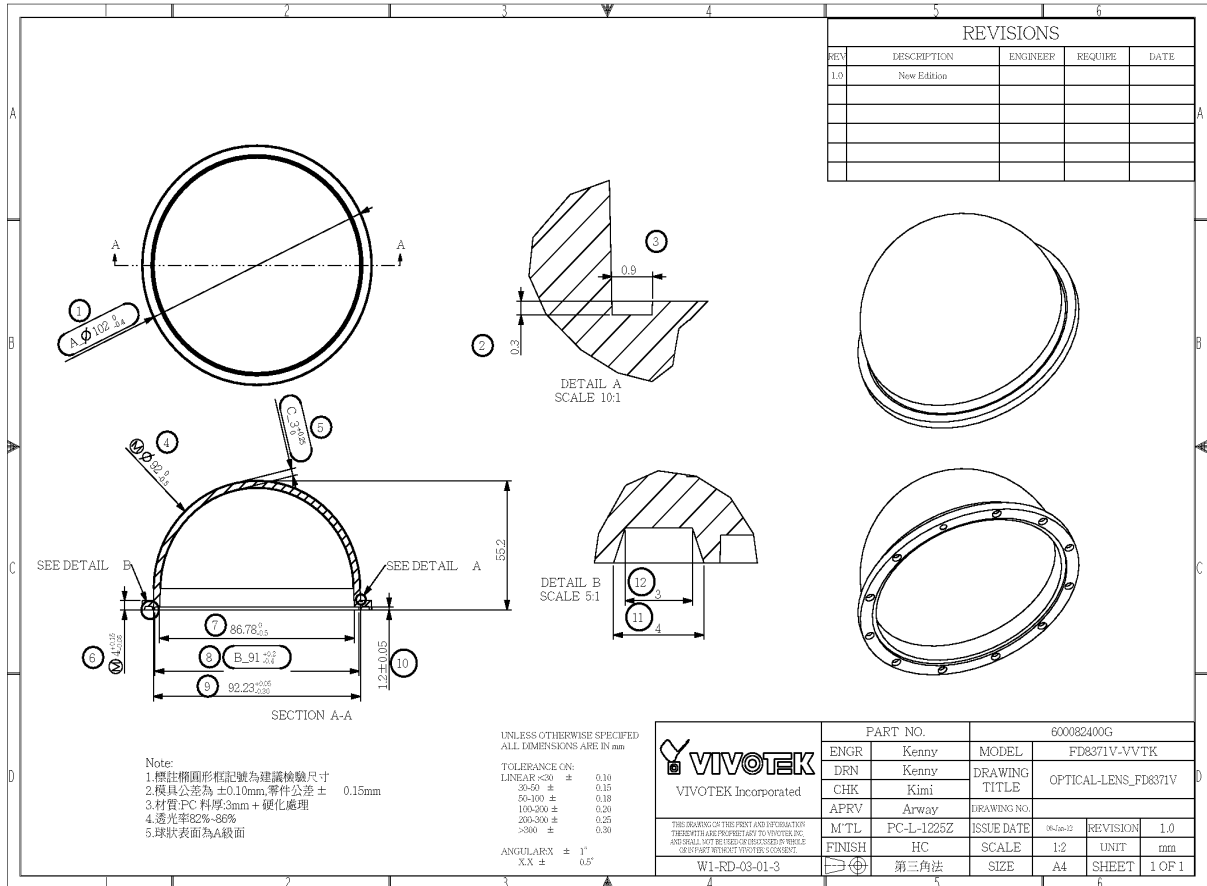


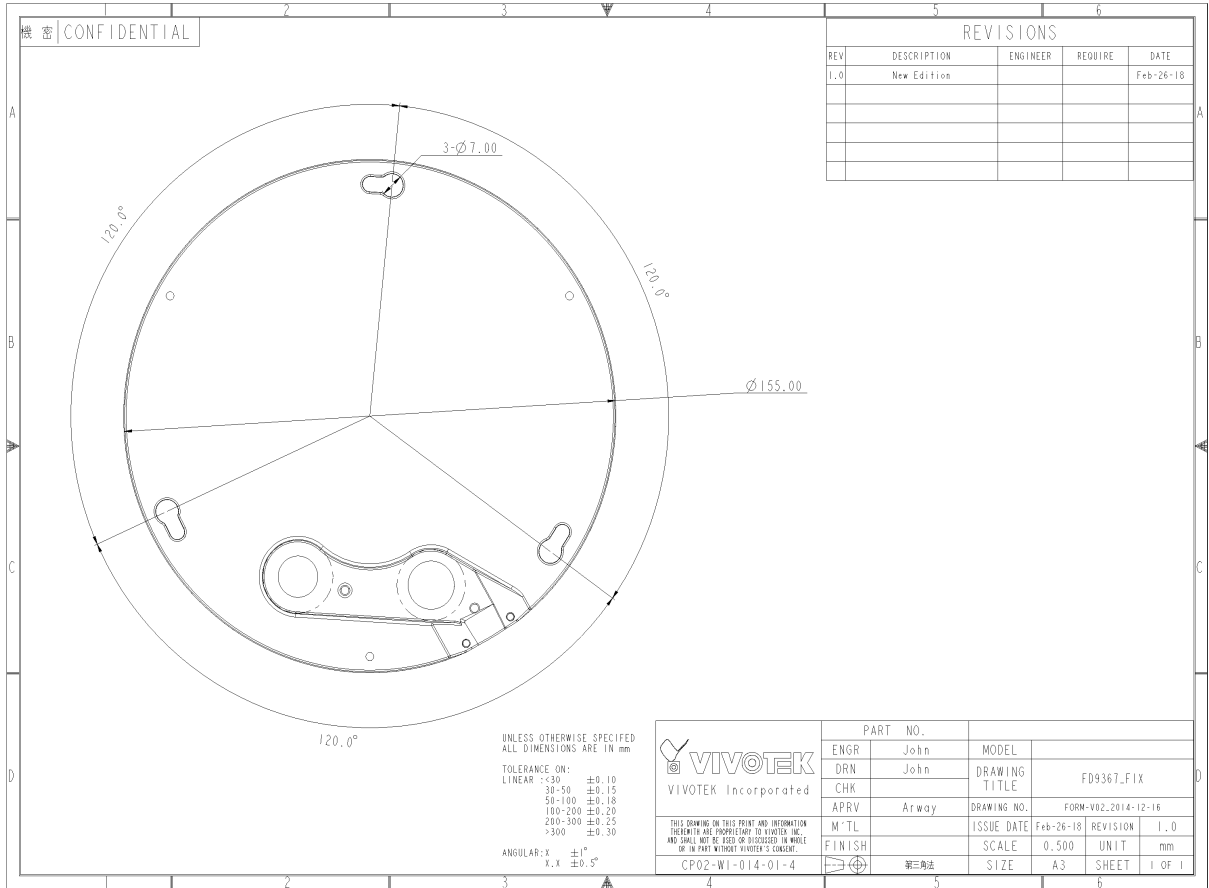
Confidential 機密文件 非授權 請勿外流

AVC 全冠企業有限公司 AVC Industrial Corp.			INSPECTED BY	YAWEN	2014.09.19	Working Temp. -40°C to 105°C (-40°F to 221°F) TOLERANCE: 6 ±0.2 18.1~30±0.5 6.1~9±0.3 30.1~50±0.6 9.1~18±0.4 50.1~80±0.8 REMARK: All rights reserved () Inside reference value	PATENTED
			DRAWN BY	LING GHIU	2014.09.19		
PRODUCT: NYLON CABLE GLANDS			MATERIAL	D PART: BLACK EPDM		RoHS	
PART NO.: MG16A-06B-ST-XABCF				E PART: BLACK PA66 UL94V-2			
SCALE: 1:1	UNIT: mm	REV. 7.1					











FD9367-HV, FD9367-HTV, FD9367-EHTV Quick Installation Guide

P/N: 625043800G



Warning Before Installation / Warnung vor der Installation / Waarschuwing voor installatie

- Power off the Network Camera as soon as smoke or unusual odors are detected.
Refer to your user's manual for the operating temperature.
Do not touch the Network Camera during a lightning storm.



Zanim zaczniesz — zalecenia dotyczące bezpieczeństwa / Перед установкой / Upozornění před instalací

- Wyłączenie zasilania kamery lub zainicjowanie alarmu.
Nie dotykaj kamery sieciowej podczas burzy z wyładowaniami atmosferycznymi.
Zastępowanie lub naprawianie instalacji wodoodpornych komponentów.



安裝前應注意事項 / 安裝警告 / インストール前の注意

- 電源がオフの状態にカメラを電源から取り外し、煙や異常な臭いを感じたらすぐに電源を切ってください。
作業温度は必ずユーザーマニュアルを参照してください。
雷や雷鳴のときにカメラを触らないでください。



Avvertencia antes de la instalación / Aviso antes de la instalación / Advertencia antes de la instalación

- Elimine rápidamente la cámara de la red si aparece humo o algún olor inusual.
Consulte el manual de usuario para obtener información sobre la temperatura de funcionamiento.
No toque la cámara de red si hubiera tormentas.



Avvertenza prima dell'installazione / Kurulum Öncesi Uyarılar / Varning Innan installation

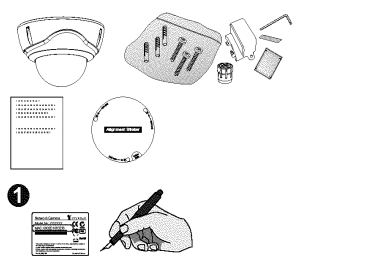
- Spegnere immediatamente la videocamera di rete se questa presenta fumo o un odore insolito.
Non toccare la videocamera di rete durante i temporali.
Ag Kamerasını dengizli yüzeylere koymayın.



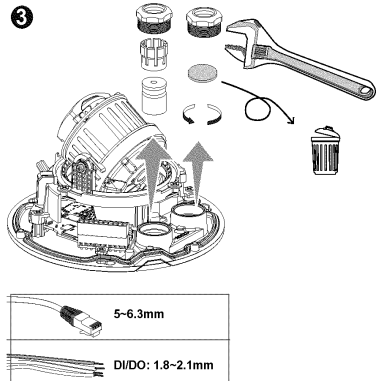
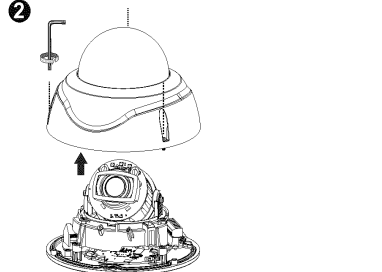
Advarsel inden installation / Peringatan Sebelum Pemasangan

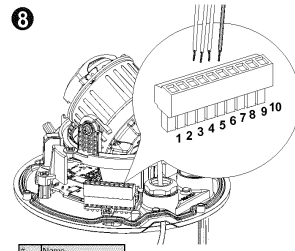
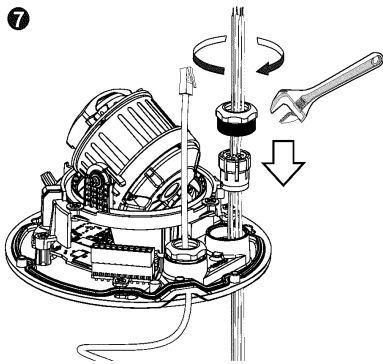
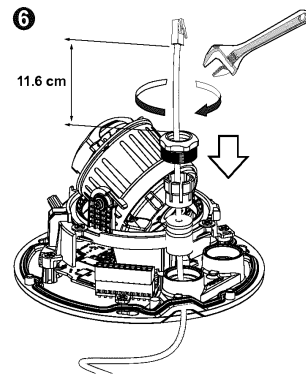
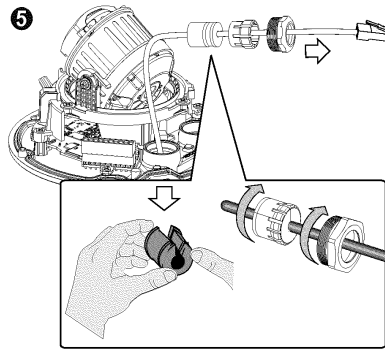
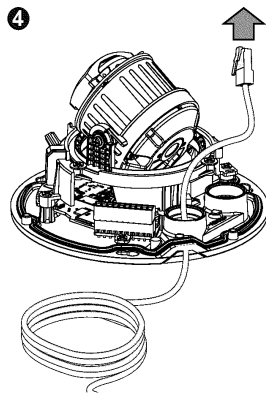
- Sila stemmen fra kamerat så snart det kan ligtesu eller usædvanlig lugt.
Berør ikke netværkskameraet i tordenvejr.
Jangan memajukan Network Camera saat terjadi badai kilat.

Package Contents / Packingsinhalt kontrollieren / Inhoud van de verpakking

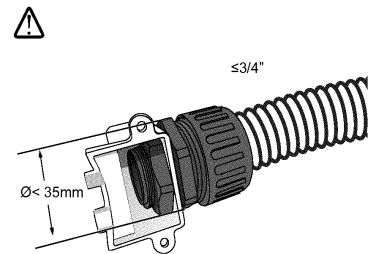
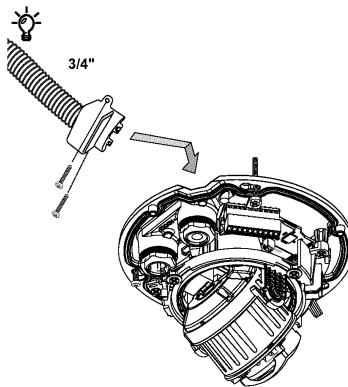
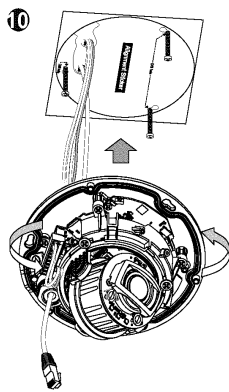
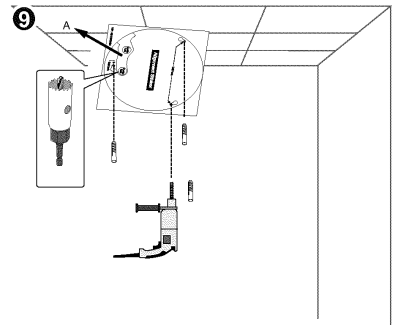


Hardware Installation / Hardwareinstallation / Hardware installieren





#	Name
1	EXT MIC N
2	EXT MIC P
3	Audio out-
4	Audio out+
5	D+
6	D+
7	DO
8	DO+ (5V)
9	12V DC+ IN
10	12V DC+ IN





HARDWARE LIMITED WARRANTY

What Is Covered: This warranty covers any hardware defects in materials or workmanship, with the exceptions stated below.

How Long Coverage Lasts: This warranty lasts for THIRTY-SIX MONTHS from the date of purchase by the original end-user customer.

What Is Not Covered: This warranty does not cover accidental damage or any other damage or defect caused by abuse, misuse, neglect, use in violation of instructions, repair by an unauthorized third party, or a fire or flood. Also, if serial numbers have been altered, obscured, or removed. Further, consequential and incidental damages are not recoverable under this warranty.

What WIVOTEK Will Do: WIVOTEK will, in our sole discretion, repair or replace any product that proves to be defective in material or workmanship. Any repair or replacement of the product will include a THREE MONTH warranty extension.

How To Get Service: Contact our authorized distributors in your region. Please check our website (www.wivotek.com) for the information of our authorized distributor near you.

Your Rights: SOME STATES DO NOT ALLOW EXCLUSION OR LIMITATION OF CONSEQUENTIAL OR INCIDENTAL DAMAGES, SO THE ABOVE EXCLUSION OR LIMITATION MAY NOT APPLY TO YOU. THIS WARRANTY GIVES YOU SPECIFIC LEGAL RIGHTS, AND YOU MAY ALSO HAVE OTHER RIGHTS WHICH VARY FROM STATE TO STATE.

WIVOTEK, INC.
 45 No. 102, San-Chang Rd., Chungli,
 Taichung County, Taiwan
www.wivotek.com

1. Proof of the date of purchase is required. In the event you do not retain such document, warranty will commence from the date of manufacture.
2. Corrosive damage will only be covered by this warranty if such damage has been assessed at the time of purchase.

All specifications are subject to change without notice.
 Copyright © 2017 WIVOTEK, INC. All rights reserved.

<p>WIVOTEK, INC. 45 No. 102, San-Chang Rd., Chungli, Taichung County, Taiwan, R.O.C. T: +886-4-22204171 ~ 22204172 www@wivotek.com</p>	<p>WIVOTEK (USA), INC. 5900 Imperial Avenue, San Jose, CA 95121 T: +1-408-755-9888 usa@wivotek.com</p>
--	--

WIVOTEK Europe
 Pöschel-Str. 22, 10559 Berlin, The Netherlands
 T: +31-20-6940404 | eu@wivotek.com





FD1967-H, FD1967-HT Quick Installation Guide

P/N: 625043900G



Warning Before Installation / Warnung vor der Installation / Waarschuwing voor installatie

- Power off the Network Camera as soon as smoke or unusual odors are detected.
Refer to your user's manual for the operating temperature.
Do not place the Network Camera on unsteady surfaces.
Do not insert sharp or bity objects into the Network Camera.
Replacing or fitting to properly install the waterproof components...



安装前注意事项 / 安装警告 / インストール前の注意

- 如发现有烟雾或异味请立即关闭摄像头电源。
使用前请仔细阅读用户手册。
请勿将摄像头放置在松软或不稳定的表面上。
请勿将尖锐或锋利的物体插入摄像头。
请勿在雷雨天气或潮湿的环境下安装摄像头...



Avertissement avant installation / Aviso antes da instalação / Advertencia antes de la instalación

- Éteignez rapidement la caméra réseau si elle dégage de la fumée ou une odeur inhabituelle.
Ne disposez pas la caméra réseau sur des surfaces instables.
N'insérez pas d'objet dans la caméra réseau.
Remplacez ou installez incorrectement les composants étanches...



Zanim začnete — zalecenia dotyczące bezpieczeństwa / Перед установкой / Upozornění před instalací

- W razie zauważenia dymu lub nietypowego zapachu wydobądźcie kamerę z kamery sieciowej.
Nie dotykaj kamery sieciowej podczas burzy z wyładowaniami atmosferycznymi.
Nie wkładaj do wnętrza obudowy kamery sieciowej żadnych przedmiotów.
Zastąpienie lub naprawienie instalacji wodoodpornych komponentów...



Avvertenza prima dell'installazione / Kurulum Öncesi Uyarılar / Varning innan installation

- Spegnere immediatamente la videocamera di rete se questa presenta fumo o un odore insolito.
Non collocare la videocamera di rete su superfici instabili.
Non inserire alcun oggetto nella videocamera di rete.
La sostituzione o l'installazione non corretta di componenti a tenuta stagna...

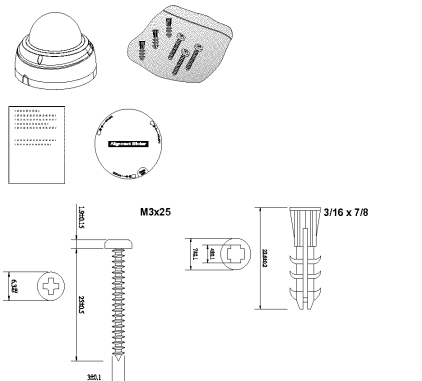


Advarsel inden installation / Peringatan Sebelum Pemasangan

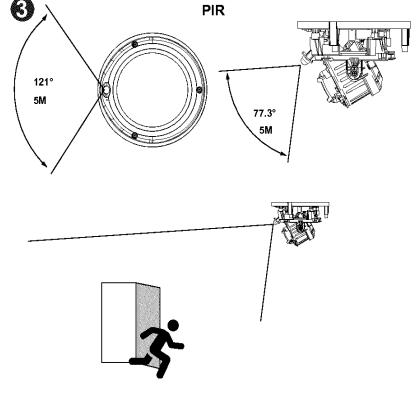
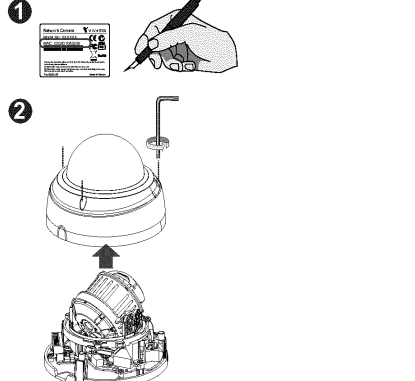
- Silä stammen fra kameran så snart den kan lugtas rag eller uskadligg lukt.
Placer ikke netværkskameraet på ustabile underlag.
Indfør ikke skrappe eller små objekter i netværkskameraet.
Udskrifning eller fejlagtig installation af de vandtætte komponenter...

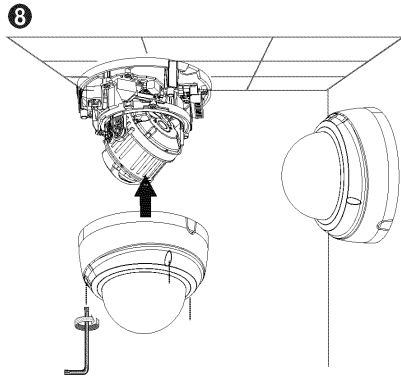
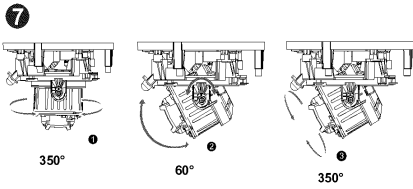
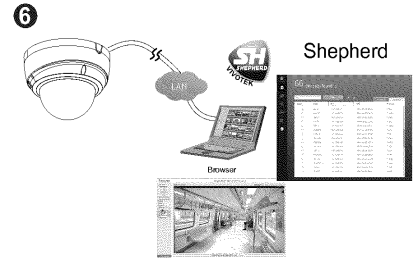
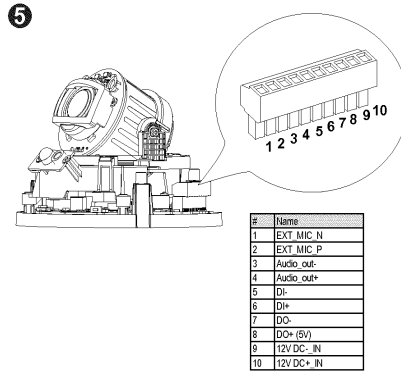
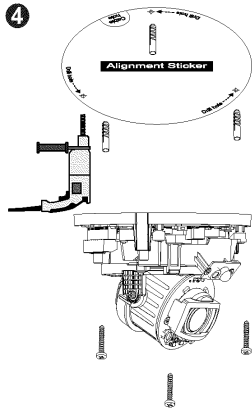


Package Contents / Packungsinhalt kontrollieren / Inhoud van de verpakking
Verifier le contenu de l'emballage / Verifi que o conteúdo da embalagem / Compruebe el contenido del embalaje



Hardware Installation / Hardwareinstallation / Hardware Installeren
硬體安裝 / 硬件安装 / ハードウェア・インストール





HARDWARE LIMITED WARRANTY

What is Covered: This warranty covers any hardware defects in materials or workmanship, and the accessories listed below.


How Long Coverage Lasts: This warranty lasts for THIRTY-SIX MONTHS from the date of purchase by the original end-user customer.

What is Not Covered: This warranty does not cover cosmetic damage or any other damage or defect caused by abuse, misuse, neglect, use in violation of instructions, repair by an unauthorized third party, or an act of God. Also, if serial numbers have been altered, defaced, or removed, failure to correspond and moderate damages are not recoverable under this warranty.

What VVOTEK Will Do: VVOTEK will, in our sole discretion, repair or replace any product that proves to be defective in material or workmanship. Any repair or replacement part of the product will receive a THREE-MONTH warranty extension.

How To Get Service: Contact our authorized distributors in your region. Please check our website (www.vvotek.com) for the information of an authorized distributor near you.

Your Rights: SOME STATES DO NOT ALLOW EXCLUSION OR LIMITATION OF CONSEQUENTIAL OR INCIDENTAL DAMAGES, SO THE ABOVE EXCLUSION OR LIMITATION MAY NOT APPLY TO YOU. THIS WARRANTY GIVES YOU SPECIFIC LEGAL RIGHTS, AND YOU MAY ALSO HAVE OTHER RIGHTS WHICH VARY FROM STATE TO STATE.



VVOTEK INC.
 #F No. 102, Lien-Chang Rd., Chungli, Taichung County, Taiwan
www.vvotek.com

1. Proof of the date of purchase is required. In the event you can not tender such document, warranty will commence from the date of manufacture.
 2. Cosmetic damage will only be covered by this warranty if such damage has been noticed at the time of purchase.

All specifications are subject to change without notice.
 Copyright © 2017 VVOTEK INC. All rights reserved.

VVOTEK INC.
 #F No. 102, Lien-Chang Rd., Chungli, Taichung City, 320, Taiwan, R.O.C.
 T: +886-3-4249322 | F: +886-3-4245922 | E: sales@vvotek.com

VVOTEK USA, INC.
 2350 Ringwood Avenue, San Jose, CA 95131
 T: +1-408-775-9998 | F: +1-408-775-0296 | E: salesusa@vvotek.com

VVOTEK Europe
 Rijnlaan 22 133, 1046DS Almere, The Netherlands
 T: +31(0)36-3268-324 | E: salesusa@vvotek.com

Model	FD9167-HT	FD9367-HTV	FD9367-EHTV	FD9167-H	FD9367-HV
Enclosure	Indoor	Outdoor	Outdoor	Indoor	Outdoor
Heater	No	No	Yes	No	No
Lens	Remote	Remote	Remote	Fixed	Fixed
I/P	12V, 0.75A PoE 37-57V, 0.27-0.18A	12V, 0.75A PoE 37-57V, 0.27-0.18A	12V, 1.59A PoE 42.5-57V, 0.59-0.44A	12V, 0.5A PoE 37-57V, 0.19-0.13A	12V, 0.5A PoE 37-57V, 0.19-0.13A
Ambient	-10°C ~ 50°C	-30°C ~ 50°C	-50°C ~ 50°C	-10°C ~ 50°C	-30°C ~ 50°C

Test Report issued under the responsibility of:



TEST REPORT UL 60 950-22 Information technology equipment Safety – Part 22: Equipment to be installed outdoors	
Report Reference No	OFF- 4788145535
Date of issue	2017-07-11
Total number of pages.....	20
CB Testing Laboratory	UNDERWRITERS LABORATORIES TAIWAN CO LTD
Address.....	1ST FI, 260 DA-YEH RD, PEI TOU DISTRICT, TAIPEI CITY, TAIWAN 112
Applicant's name	VIVOTEK INC
Address.....	6F, No.192, LIEN CHENG RD CHUNG HO DISTRICT, NEW TAIPEI 235, TAIWAN
Test specification:	
Standard	CSA C22.2 NO. 60950-22-07 - Edition 1 - Revision Date 2011/12/01 UL 60950-22 - Edition 1 - Revision Date 2011/12/19
Test procedure.....	N/A
Non-standard test method.....	N/A
Test Report Form No.	IEC60950_22A
Test Report Form(s) Originator	The Standards Institution of Israel Ltd.
Master TRF	Dated 2007-03
Copyright © 2007 IEC System for Conformity Testing and Certification of Electrical Equipment (IECEE), Geneva, Switzerland. All rights reserved. This publication may be reproduced in whole or in part for non-commercial purposes as long as the IECEE is acknowledged as copyright owner and source of the material. IECEE takes no responsibility for and will not assume liability for damages resulting from the reader's interpretation of the reproduced material due to its placement and context.	
This report is not valid as a CB Test Report unless signed by an approved CB Testing Laboratory and appended to a CB Test Certificate issued by an NCB in accordance with IECEE 02.	
Test item description	Network Camera
Trade Mark	VIVOTEK
Manufacturer.....	VIVOTEK INC
Model/Type reference.....	FD9367-HTV, FD9367-EHTV, FD9367-HV
Ratings.....	FD9367-HV: 12Vdc, 0.5A (Adapter); 37~57Vdc, 0.19~0.13A (PoE) FD9367-HTV: 12Vdc, 0.75A (Adapter); 37~57Vdc, 0.27~0.18A (PoE) FD9367-EHTV: 12Vdc, 1.59A (Adapter); 42.5~57Vdc, 0.59~0.44A (PoE)

Testing procedure and testing location:	
<input checked="" type="checkbox"/> CB Testing Laboratory:	UNDERWRITERS LABORATORIES TAIWAN CO LTD Testing location/ address : 1ST FL, 260 DA-YEH RD, PEI TOU DISTRICT, TAIPEI CITY, TAIWAN 112
<input type="checkbox"/> Associated CB Test Laboratory:	Testing location/ address : Tested by (name + signature)..... : Lily Su / handler Approved by (name + signature) : Stanley Tsai / reviewer
<input type="checkbox"/> Testing procedure: TMP	Tested by (name + signature)..... : Approved by (+ signature) : Testing location/ address :
<input type="checkbox"/> Testing procedure: WMT	Tested by (name + signature)..... : Witnessed by (+ signature) : Approved by (+ signature) : Testing location/ address :
<input type="checkbox"/> Testing procedure: SMT	Tested by (name + signature)..... : Approved by (+ signature) : Supervised by (+ signature)..... : Testing location/ address :
<input type="checkbox"/> Testing procedure: RMT	Tested by (name + signature)..... : Approved by (+ signature) : Supervised by (+ signature)..... : Testing location/ address :

<p>Summary of testing:</p> <ul style="list-style-type: none"> - The manufacturer submitted representative production sample of Network Camera, model FD9367-HV. - The unit was considered exposed SELV circuit. - The following tests were conducted according to CSA C22.2 NO. 60950-22-07 Edition 1, Revision Date 2011/12/01 & UL 60950-22 Edition 1, Revision Date 2011/12/19. <p>4.2.5, 4.2.1, PART 22 10.2 – IMPACT TEST PART 22 9.1, ANNEX B – WATER SPRAY TEST</p> <p>The following tests were waived:</p> <table border="1" style="width: 100%; border-collapse: collapse;"> <thead> <tr> <th style="text-align: left;">Test</th> <th style="text-align: left;">Rationale for Waiving</th> </tr> </thead> <tbody> <tr> <td>PART 22, 8.5, ANNEX D.2 – TENSILE STRENGTH AND ELONGATION</td> <td>Refer E324690-A81</td> </tr> </tbody> </table>		Test	Rationale for Waiving	PART 22, 8.5, ANNEX D.2 – TENSILE STRENGTH AND ELONGATION	Refer E324690-A81
Test	Rationale for Waiving				
PART 22, 8.5, ANNEX D.2 – TENSILE STRENGTH AND ELONGATION	Refer E324690-A81				
<p>Tests performed (name of test and test clause):</p> <p>4.2.5, 4.2.1, PART 22 10.2 – IMPACT TEST PART 22 9.1, ANNEX B – WATER SPRAY TEST</p>	<p>Testing location:</p> <p>UNDERWRITERS LABORATORIES TAIWAN CO LTD/ 1ST FL, 260 DA-YEH RD, PEI TOU DISTRICT, TAIPEI CITY, TAIWAN 112.</p>				
<p>Summary of compliance with National Differences:</p> <p>Countries outside the CB Scheme membership may also accept this report. List of countries addressed: CA, US, EU. The product fulfils the requirements of: EN 60950-22:2006 +A11:2008.</p>					

Test item particulars	
Temperature range	-50 to 55 degree C
Overvoltage category	<input type="checkbox"/> OVC I <input type="checkbox"/> OVC II <input type="checkbox"/> OVC III <input type="checkbox"/> OVC IV
IP protection class	IPX0
Possible test case verdicts:	
- test case does not apply to the test object	N/A or N
- test object does meet the requirement	P (Pass)
- test object does not meet the requirement	F (Fail)
Testing	
Date of receipt of test item	2018-01-19
Date (s) of performance of tests	2018-02-05
General remarks:	
<p>The test results presented in this report relate only to the object tested. This report shall not be reproduced, except in full, without the written approval of the Issuing testing laboratory. "(see Enclosure #)" refers to additional information appended to the report. "(see appended table)" refers to a table appended to the report.</p> <p>Throughout this report a comma (point) is used as the decimal separator.</p> <p>This Test Report Form is intended for the investigation of safety of equipment to be installed outdoors in accordance with UL 60950-22. It can only be used together with the UL 60950-1 requirements.</p>	
Name and address of factory (ies):	
VIVOTEK INC 5F, No.168, LIEN CHENG RD CHUNG HO DISTRICT, NEW TAIPEI 235, TAIWAN	
General product information:	
Report Summary:	
All applicable tests according to the referenced standard(s) have been carried out.	
Product Description:	
The equipment is a Class III Network Camera. The EUT installs to the ceiling or wall. The power source can be from POE or Adapter.	
Model Difference:	
All models are similar except for heater function, lens function, ambient, rating and model designation.	

UL 60950-22			
Clause	Requirement + Test	Result - Remark	Verdict
4	CONDITIONS FOR OUTDOOR EQUIPMENT		P
4.1	Ambient air temperature		P
	Suitability for use at any temperature in the range specified by the manufacturer. If not specified by the manufacturer, the range is taken as -33°C to +40°C	-50 to 50°C	P
4.2	AC mains supply		N
	Suitability for the highest Overvoltage Category expected in the installation location	Class III equipment.	N
	Components used to reduce the Overvoltage Category comply with IEC 61643-series		N
	Reference to installation instructions		N
4.3	Rise of earth potential		
	Special earthing conditions	Class III equipment.	N
	Reference to installation instructions		N
5	MARKING AND INSTRUCTIONS		P
	Special installation features for protection from conditions in the OUTDOOR LOCATION (see 1.7.2 of UL 60950-1)	Precautions in the installation instruction.	P
	OUTDOOR ENCLOSURE classification according to IEC 60529 (IP Code)	The unit is considered as outdoor equipment	N
6	PROTECTION FROM ELECTRICAL SHOCK IN AN OUTDOOR LOCATION		P
6.1	Voltage limits of user-accessible parts in OUTDOOR LOCATIONS (2.2.2 and 2.2.3 of UL 60950-1 with voltage limits of UL60950-22)		P
	Voltages under normal conditions (V)	Accessible parts are less than 21,2 Vp or 30Vdc and are classified as SELV.	P
	Voltages under fault conditions (V).....	Single fault did not cause excessive voltage in accessible SELV circuits. Limits of 15 V a.c., 21,2 V peak, or 30 V d.c. for longer than 0,2 s under single fault conditions.	P
6.2	Limited current circuits in outdoor locations		N
	The requirements of 2.4 of UL60950-1 apply without change		N

UL 60950-22			
Clause	Requirement + Test	Result - Remark	Verdict
7	WIRING TERMINALS FOR CONNECTION OF EXTERNAL CONDUCTORS		N
	The mains supply terminations powered via the normal building installation wiring are as specified in 3.3 of UL 60950-1	Not directly connected to mains.	N
	The mains supply terminations powered directly from the mains distribution system are as specified in IEC 60364	Not directly connected to mains.	N
8	CONSTRUCTION REQUIREMENTS FOR OUTDOOR ENCLOSURES		P
8.1	General		P
	Protection against corrosion by use of suitable materials or by application of a protective coating	Metallic enclosure was made of aluminium.	P
	Parts serving as a functional part of an OUTDOOR ENCLOSURE (e.g., dials, connectors, etc.) comply with the same environmental protection requirements as for the OUTDOOR ENCLOSURE	All relevant parts comply with applicable requirements	P
	Use of OUTDOOR ENCLOSURE to carry current during normal operation	Outdoor enclosure does not carry current during normal operation.	P
	Connection of a conductive part of an OUTDOOR ENCLOSURE to protective earth for carrying fault currents (see 2.6 of UL 60950-1 and 8.3 of this standard)		N
8.2	Resistance to ultra-violet radiation		N
	Resistance of non-metallic parts of an outdoor enclosure to degradation by ultra-violet (UV) radiation		N
	Parts providing mechanical support:		N
	Tensile strength test (ISO 527)		N
	Flexural strength test (ISO 178)		N
	Parts providing impact resistance:		N
	Charpy impact test (ISO 179)		N
	Izod impact test (ISO 180)		N
	Tensile impact test (ISO 8256)		N
	All parts:		N
	Flammability classification (1.2.12 and annex A of UL 60950-1)		N
8.3	Resistance to corrosion		P

UL 60950-22			
Clause	Requirement + Test	Result - Remark	Verdict
8.3.1	General	Metallic enclosure was made of aluminum and after evaluated/reviewed the data provided from manufacturer, the construction complied with requirements.	P
	Resistance of metallic parts of an OUTDOOR ENCLOSURE to the effects of water-borne contaminants		N
	Alternate method for 8.3.2-8.3.4 (IEC 61587-1)		N
8.3.2	Test apparatus		N
	Salt-spray test (IEC 60068-2-11)		N
	Test in a water-saturated sulphur dioxide atmosphere (water-saturated sulphur dioxide atmosphere as described in Annex A; chamber as described in ISO 3231)		N
8.3.3	Test procedure		N
8.3.4	Compliance criteria		N
8.4	Bottoms of FIRE ENCLOSURES		N
	Comply with 4.6.2 of UL 60950-1	No bottom opening.	N
	Bottom of FIRE ENCLOSURE of OUTDOOR EQUIPMENT mounted directly and permanently on a non-combustible surface (e.g., concrete or metal)		N
8.5	Gaskets		P
	If gaskets are used as the method for protection against the ingress of potential contaminants, requirements of 8.5.1 through 8.5.3 apply	Refer to Report No. E324690-A81 for test result in detail.	P
8.5.1	General		N
8.5.2	Oil resistance		N
8.5.3	Securing means	mechanical means used	P
9	PROTECTION OF EQUIPMENT WITHIN AN OUTDOOR ENCLOSURE		P
9.1	Protection from moisture (see Table 2)	After test, no water has entered to enclosure.	P
9.2	Protection from plants and vermin	No openings on the enclosure.	N
9.3	Protection from excessive dust		N

UL 60950-22			
Clause	Requirement + Test	Result - Remark	Verdict
10	MECHANICAL STRENGTH OF ENCLOSURES		P
10.1	General		P
10.2	Impact test (4.2.5 of UL 60950-1)	(see separate test report UL 60950-1)	P
	Compliance criteria:		P
	- after test the level of protection remains in accordance with 9.1 of this standard		P
	- after test the requirements of 4.2.1 of UL 60950-1 are met		P
11	OUTDOOR EQUIPMENT CONTAINING VENTED BATTERIES		N
	Adequate ventilation in the compartment housing a vented battery, where gassing is possible during normal usage or over-charging	No such battery was provided.	N
	Protection against the risk of ignition of local concentrations of hydrogen and oxygen in a compartment containing both a battery and electrical components		N
	Hydrogen gas concentration measurement test		N
	Measured hydrogen gas concentration (% by volume)		—
	Max. allowed gas concentration for the mixture location in proximity to an ignition source (% by volume)		—
	Max. allowed gas concentration for the mixture location not in proximity to an ignition source (% by volume)		—
	Overcharging of rechargeable battery (see 4.3.8 of UL 60950-1)		N
A	ANNEX A, WATER-SATURATED SULPHUR DIOXIDE ATMOSPHERE (see 8.3.2 and 8.3.3)		N
B	ANNEX B, WATER SPRAY TEST (see 9.1)		P
C	ANNEX C, ULTRAVIOLET LIGHT CONDITIONING TEST (see 8.2)		N
C.1	Test apparatus		N
C.2	Mounting of test samples		N
C.3	Carbon-arc light-exposure apparatus		N
C.4	Xenon-arc light-exposure apparatus		N

UL 60950-22			
Clause	Requirement + Test	Result - Remark	Verdict
D	ANNEX D, GASKET TESTS (see 8.5)		P
D.1	Gasket tests		P
D.2	Tensile strength and elongation tests (for gaskets that can stretch)	Refer to Report No. E346792-A81 for test result in detail.	P
	Tensile strength (%)		N
	Elongation (%)		N
	Visible deterioration, deformation, melting, cracking or hardening of the material	There was no visible cracking or other adverse effect of the conditioned material.	P
D.3	Compression test (for gaskets with closed cell construction)		N
	Initial thickness of the specimen (mm)		N
	Thickness of the specimen after test a) (mm), compression set after test a) (%)		N
	Thickness of the specimen after test b) (mm), compression set after test b) (%)		N
	Thickness of the specimen after test c) (mm), compression set after test c) (%)		N
	Visible cracks or deterioration		N
D.4	Oil immersion test		N
	Swelling (%)		N
	Shrinking (%)		N
E	ANNEX E, RATIONALE		---
E.1	General		---
E.2	Electric shock		---
E.3	Energy related hazards		---
E.4	Fire		---
E.5	Mechanical hazards		---
E.6	Heat related hazards		---
E.7	Radiation		---
E.8	Chemical hazards		---
E.9	Biological hazards		---
E.10	Explosion hazards		---

UL 60950-22			
Clause	Requirement + Test	Result - Remark	Verdict

IEC 60950-22:2005 – COMMON MODIFICATIONS			
Contents	Add the following annexes: Annex ZA (normative) Normative references to international publications with their corresponding European publications Annex ZB (normative) Special national conditions		N
General	Delete all the "country" notes in the reference document according to the following list: 4.1 Note 3 4.3 Note 8.5 Note 10.2 Note D.3 Note D.4 Note		N

ZA	NORMATIVE REFERENCES TO INTERNATIONAL PUBLICATIONS WITH THEIR CORRESPONDING EUROPEAN PUBLICATIONS		—
----	---	--	---

ZB	SPECIAL NATIONAL CONDITIONS		N
4.1	In Finland, Norway and Sweden , the temperature in winter may be extremely low. For OUTDOOR EQUIPMENT this will demand special design so that the equipment can withstand transport, erection and operation/service at temperatures down to -50°C	This National Condition has been removed in EN 60950-22:2006 + A11:2008.	N
10.2	In Finland, Norway and Sweden there are additional requirements for the minimum ambient temperature. See 4.1 of this annex.	This National Condition has been removed in EN 60950-22:2006 + A11:2008.	N
D.3	In Finland, Norway and Sweden there are additional requirements for the minimum ambient temperature. See 4.1 of this annex.	This National Condition has been removed in EN 60950-22:2006 + A11:2008.	N

UL 60950-22			
Clause	Requirement + Test	Result - Remark	Verdict

ATTACHMENT

US - UL60950-22, First Edition - SPECIAL NATIONAL CONDITIONS			
4	Applicable parts of Chapter 8 of the NEC may be applicable to ITE installed outdoors with connections to communication systems		P
4.2	Power supply cords are to be suitable outdoor use type as required by Section 400-4 of the NEC, i.e., marked "water resistant," "outdoor," "W" or "W-A."		N
4.2	Surge Arrestors and Transient Voltage Surge Suppressors installed external to the ITE are required to comply with the appropriate NEC requirements.		N
5	Outdoor Enclosures are required to be classified and marked in accordance with UL 50		N
7	Applicable parts of the NEC, NFPA 70; and the National Electrical Safety Code, ANSI/IEEE C2, are required, as appropriate.		N
7	Wiring terminals intended to supply Class 2 outputs are required per Article 725 of the NEC to be marked.		N
11	Requires stationary installations of storage batteries external to the ITE to comply with Article 480 of the NEC		N
OTHER DIFFERENCES			
1.2	For protection of ITE against direct lightning strikes, reference is made to NFPA 780 for additional requirements.		P
2	All references to IEC 60950-1 in this standard are replaced by the equivalent UL 60950-1 Standards. All relevant Standards referenced in the Part 1 Standard (Annex P, including P.1 and P.2) also apply to this Part 22 Standard and are not listed below. All references to clauses and subclauses in IEC 60950-1 are to the second edition.		P

Test Record

Test Record No. 1

- The manufacturer submitted samples of Network Camera, Models FD9167-HT, FD9367-HTV, FD9367-EHTV, FD9167-H, FD9367-HV.

- Unless otherwise indicated, all tests were conducted by Sporton International Inc. located in New Taipei, Taiwan, under the TPTDP.

- Unless otherwise indicated, all tests were conducted on Models FD9167-HT, FD9367-HTV, FD9367-EHTV to represent for Models FD9167-H, FD9367-HV.

- WATER SPRAY TEST and IMPACT TEST according to UL 60950 PART22 were conducted by Underwriters Laboratories Taiwan Co., Ltd. 260 Da-Yeh Road, 112 Peitou Taipei City, Taiwan.

- Test results reported relate only to the items tested.

The following tests were conducted:

Test	Testing Location/Comments
End Product Reference Page	
General Guidelines	
Input: Single-Phase (1.6.2)	
SELV Reliability Test Including Hazardous Voltage Measurements (2.2.2, 2.2.3, 2.2.4, Part 22 6.1)	
Limited Current Circuit Measurement (2.4.1, 2.4.2)	
Limited Power Source Measurements (2.5)	
Determination of Working Voltage; Working Voltage Measurement (2.10.2)	
Steady Force (4.2.1 - 4.2.4)	
Impact (4.2.5, 4.2.1, Part 22 10.2)	UL / TPTDP
Stress Relief (4.2.7, 4.2.1)	
Loading - Wall and Ceiling Mounted Equipment (4.2.10)	
Heating (4.5.1, 1.4.12, 1.4.13)	
Electric Strength (5.2.2)	
Component Failure (5.3.1, 5.3.4, 5.3.7)	
Overload of Operator Accessible Connector (5.3.7)	
Water Spray (Part 22 9.1, Annex B)	UL

Test results are valid only for the tested equipment. These tests are considered representative of the products covered by this Test Report. The test methods and results of the above tests have been reviewed and found to be in accordance with the requirements in the Standard(s) referenced at the beginning of this Test Report.

Test Record

The following tests were waived:

Test	Rationale for Waiving
Tensile Strength and Elongation (Part 22 8.5, Annex D.2)	Refer to E324690-A81-UL report
Compression - Gaskets, Closed Cell Construction (Part 22 8.5.1, Annex D.3)	Refer to E324690-A81-UL report

The following supplements are provided as a part of this Test Record. NOTE: These supplements are only available to the Applicant via the CDA system.

Type	Supplement Id	Description
Attachment	2-01	CRD
Datasheet	2-02	Datasheet Part 22
Datasheet	2-03	Datasheet