

H.264 • SD/SDHC Card Slot • Rack Mount Design

# VIDEO SERVER

## Quick Installation Guide

English | 繁體中文 | 簡體中文 | 日本語 | Français | Español | Deutsch | Português | Italiano | Türkçe | Polski | Русский | Česky | Svenska | العربية



### VS8801

*8-CH Audio and Video  
Single Stream*



### VS8401

*4-CH Audio and Video  
Simultaneous Dual Streams*

This guide describes the basic functions of VS8801/8401.  
All detailed information is described in the user's manual.

## Warning Before Installation

- Power off the Video Server as soon as smoke or unusual odors are detected.
- Keep the Video Server away from water. If the Network Camera becomes wet, power off immediately.

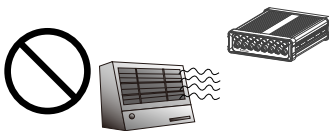
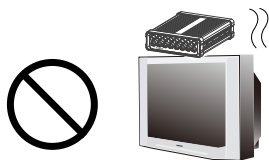


Contact your distributor in the event of occurrence.

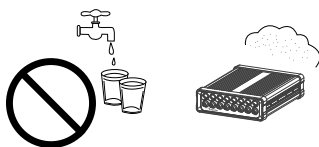
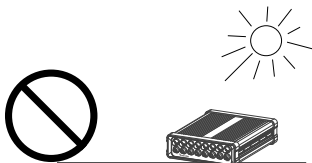


Contact your distributor in the event of occurrence.

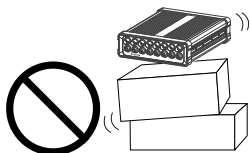
- Do not place the Video Server around heat sources, such as a television or oven.
- Refer to your user's manual for the operating temperature.



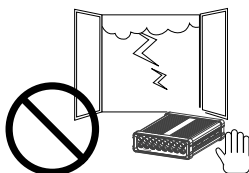
- Keep the Video Server away from direct sunlight.
- Do not place the Video Server in high humidity environments.



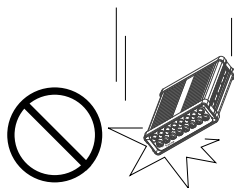
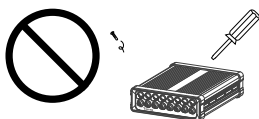
● Do not place the Video Server on unsteady surfaces.



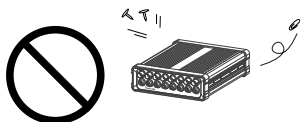
● Do not touch the Video Server during a lightning storm.



● Do not disassemble the Video Server. ● Do not drop the Video Server.

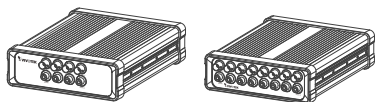


● Do not insert sharp or tiny objects into the Video Server.

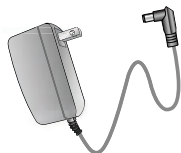


# 1 Package Contents

- VS8401 (4CH) or VS8801 (8CH)



- Power Adapter



- Software CD



- Warranty Card



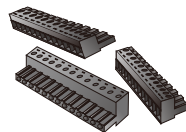
- Quick Installation Guide



- General I/O Terminal Blocks

VS8401: 10 pins x 3 pcs

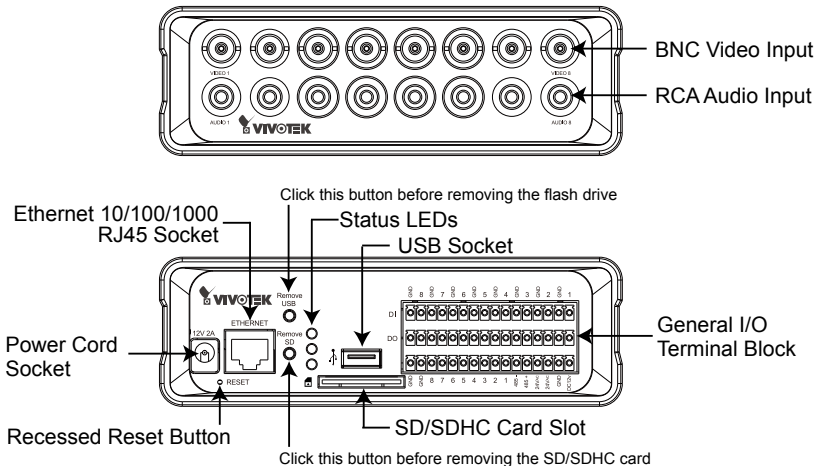
VS8801: 16 pins x 3 pcs



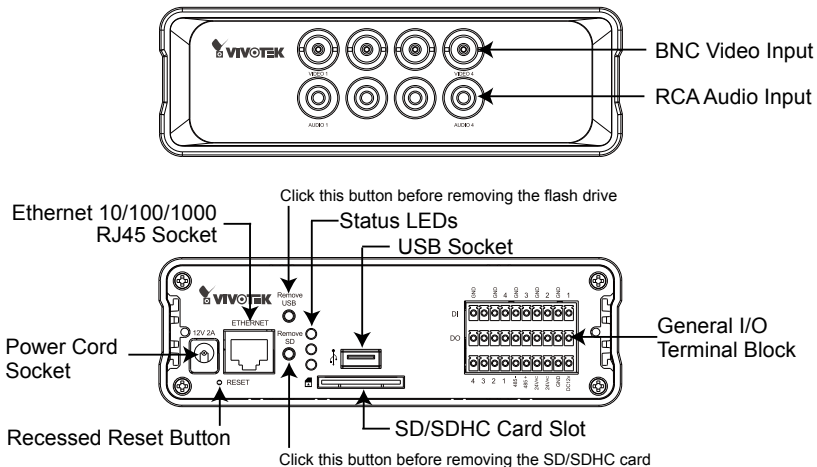
## 2

## Physical Description

### VS8801

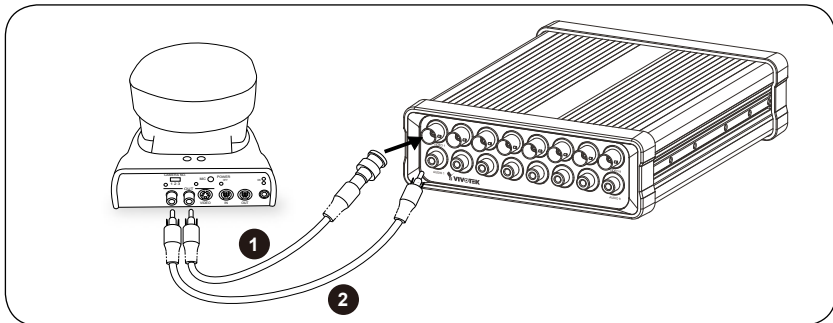


### VS8401

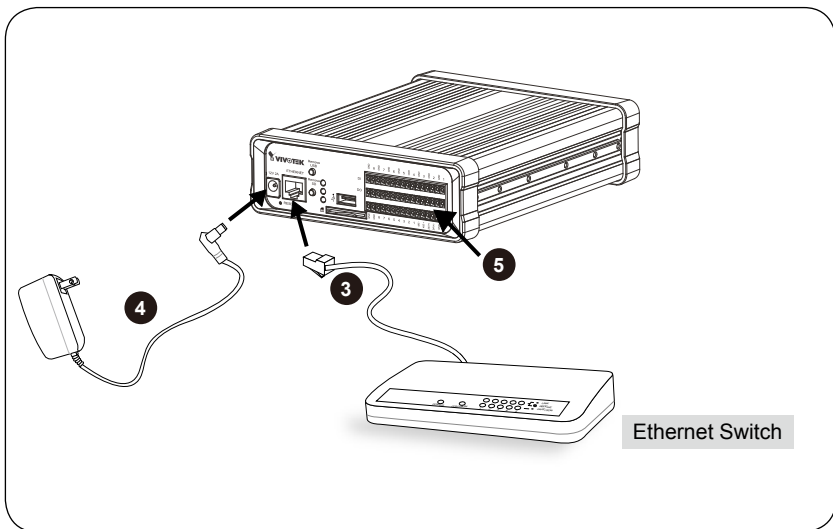


### 3 Network Deployment

1. Make video connection from the camera to the BNC video input.
2. Make audio connection from the Line-Out audio source to the RCA audio input.

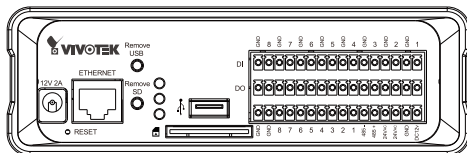


3. Connect the Video Server to a switch via Ethernet cable.
4. Connect the power cable from the Video Server to a power outlet.
5. If you have external devices such as sensors and alarms, connect them to the general I/O terminal block. For detailed pin definition, please refer to the next page.



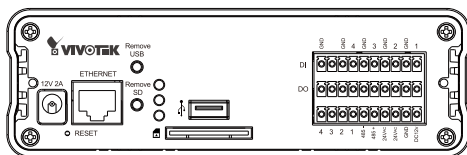
## ● Pin Definitions of the General I/O Terminal Blocks

### VS8801



CH 8 GND	CH 8 DI	CH 7 GND	CH 7 DI	CH 6 GND	CH 6 DI	CH 5 GND	CH 5 DI	CH 4 GND	CH 4 DI	CH 3 GND	CH 3 DI	CH 2 GND	CH 2 DI	CH 1 GND	CH 1 DI
CH 8 GND	CH 8 DO	CH 7 GND	CH 7 DO	CH 6 GND	CH 6 DO	CH 5 GND	CH 5 DO	CH 4 GND	CH 4 DO	CH 3 GND	CH 3 DO	CH 2 GND	CH 2 DO	CH 1 GND	CH 1 DO
GND	GND	CH 8 Audio out	CH 7 Audio out	CH 6 Audio out	CH 5 Audio out	CH 4 Audio out	CH 3 Audio out	CH 2 Audio out	CH 1 Audio out	RS 485-	RS 485+	24V AC	24V AC	GND	DC 12V

### VS8401



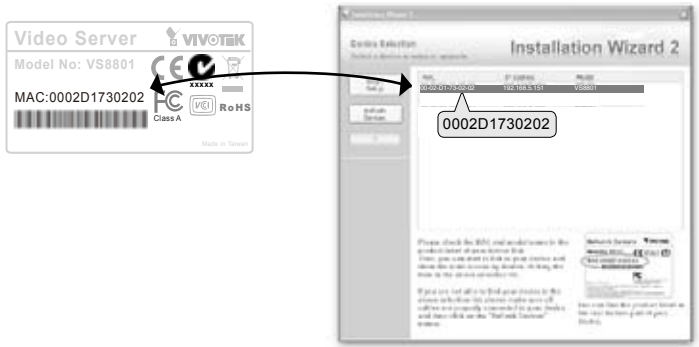
GND	N/A	CH 4 GND	CH 4 DI	CH 3 GND	CH 3 DI	CH 2 GND	CH 2 DI	CH 1 GND	CH 1 DI
GND	N/A	CH 4 GND	CH 4 DO	CH 3 GND	CH 3 DO	CH 2 GND	CH 2 DO	CH 1 GND	CH 1 DO
CH 4 Audio out	CH 3 Audio out	CH 2 Audio out	CH 1 Audio out	RS 485-	RS 485+	24V AC	24V AC	GND	DC 12V

# 4 Assigning an IP Address

1. Install "Installation Wizard 2" from the Software Utility directory on the software CD.
2. The program will conduct an analysis of your network environment. After your network is analyzed, please click on the "Next" button to continue the program.



3. The program will search for VIVOTEK Video Receivers, Video Servers, and Network Cameras on the same LAN.
4. After searching, the main installer window will pop up. Click on the MAC that matches the one labeled on the bottom of your device to connect to the Video Server via Internet Explorer.





## 5

## Ready to Use

1. Access the Video Server from the LAN.
2. Retrieve live video through a web browser or recording software.



For further setup, please refer to the user's manual on the software CD.



P/N: 625014000G Ver.1.0  
Copyright © 2011 VIVOTEK INC. All right reserved.