

235

台灣 新北市
中和區連城路192號6樓
晶睿通訊股份有限公司
JOANNE CHANG



JOANNE CHANG
 VIVOTEK INC
 6TH FL, 192 LIEN CHENG RD
 CHUNG HO DISTRICT
 NEW TAIPEI
 235 TAIWAN

Date: 2016/02/02
 Subscriber: 100504413
 PartySite: 125336
 File No: E324690
 Project No: 4787288259
 PD No: 16M05133
 Type: R
 PO Number: C1291512098

Subject: **Procedure And/Or Report Material**

The following material resulting from the investigation under the above numbers is enclosed.

Issue

<u>Date</u>	<u>Vol</u>	<u>Sec</u>	<u>Pages</u>	<u>Revised Date</u>
		X2	Index Page(s)	
2015/08/24	X2	A80	Cert of Compliance	
2015/08/24	X2	A80	Revised Proc/Rpt Section	

If there are illegible images in this package, legible images may be found online via MyHome@UL under My UL Reports/CDA.

Please file revised pages and illustrations in place of material of like identity. New material should be filed in its proper numerical order.

NOTE: Follow-Up Service Procedure revisions DO NOT include Cover Pages, Test Records and Conclusion Pages. Report revisions DO NOT include Authorization Pages, Indices, Section General Pages and Appendixes.

Please review this material and report any inaccuracies to UL's Customer Service Professionals. Contact information for all of UL's global offices can be found at <http://ul.com/aboutul/locations>.

If you'd like to receive updated materials FASTER, UL offers electronic access and/or delivery of this material. For more details, contact UL's Customer Service Professionals as shown above.

This material is provided on behalf of UL LLC (UL) or any authorized licensee of UL.

TPI File

File		Volume	Page	Date:
E324690	Index	X2	1	2016-01-26

Index

Product Type	Model/Type Reference	Report Reference #	Status
Outdoor Network Camera	IP8330, IP8332	E324690-A4-UL	
Network Camera	IP8162, IP8162P, CIVS-IPC-6000P	E324690-A9-UL	
Network Camera	FD8162, FD8162V, FD8362, FD8362E, CIVS-IPC-6020, CIVS-IPC-6030, CIVS-IPC-3530, CIVS-IPC-3535 and CIVS-IPC-3520	E324690-A10-UL	
Network Video Recorder	NR8201, NR8301	E324690-A12-UL	
Network Camera	IP8352	E324690-A13-UL	
Network Camera	FE8171V	E324690-A15-UL	
Video Encoder, 4 Port, Standalone; Video Encoder, 8 Port, Standalone	CIVS-SENC-4P-K9, CIVS-SENC-8P-K9, CIVS-SENC-4P, CIVS-SENC-8P	E324690-A16-UL	
Network Camera	1) MD8562 2) MD8562D	E324690-A17-UL	
Network Camera	IP8362	E324690-A18-UL	
Network Camera	IK-WD14A, IK-WR14A	E324690-A21-UL	
Outdoor Dome Network Camera	FD8372, CIVS-IPC-7030, CIVS-IPC-7030E	E324690-A22-UL	
Network Camera	FE8172, FE8172V, FE8173, FE8174, FE8174V, SF8174, SF8174V	E324690-A25-UL	
Network Camera	IP8332-C	E324690-A28-UL	
Outdoor Speed Dome Network Camera	SD83XXE (X = 0-9, A-Z or blank), CIVS-IPC-6930, CIVS-IPC-2830, CIVS-IPC-2835	E324690-A29-UL	
Network Camera	IP8172, IP8172P	E324690-A30-UL	
Network Camera	CIVS-IPC-6400	E324690-A31-UL	
Network Camera	CIVS-IPC-3421V	E324690-A33-UL	
Indoor Dome Network Camera	FD8136-FXX, FD8166-FXX (The X=0-9, A-Z, a-z or blank for marketing purpose)	E324690-A34-UL	
Network Camera	IK-WR04A, IK-WD04A	E324690-A36-UL	
Network Camera	IP8372	E324690-A37-UL	
IP Camera VGA	S5003FDXXXXXXXXXXXXX (X can be 0-9, A-Z, a-z, blank or "-", and no impact safety related critical components and construction.)	E324690-A38-UL	
Network Camera	IK-WB81A	E324690-A39-UL	
1080P Fixed Dome Network Camera	FD8163, FD8363	E324690-A40-UL	
Network Camera	CIVS-IPC-6050	E324690-A44-UL	
Network Camera	FD8355EHV, FD8365EHV, FD8155H, FD8165H	E324690-A49-UL	
Network Camera	IK-WD05A, IK-WR05A	E324690-A50-UL	
Network Camera	FD8371EV	E324690-A51-UL	
Network Camera	CIVS-IPC-6400E	E324690-A52-UL	
Network Camera	IP8355EH, IP8365EH	E324690-A53-UL	
Network Camera	CIVS-IPC-6500PD	E324690-A54-UL	
Network Camera	(1) CIVS-IPC-7530PD (2) CIVS-IPC-7030P	E324690-A56-UL	
Network Camera	CIVS-IPC-3050, MD8531H-FXX, MD8531H-	E324690-A58-UL	

File		Volume	Page	Date:
E324690	Index	X2	2	2016-01-26

	FXX(W)(X= 0-9, a-z, A-Z, "-", "/" or blank for marketing purpose)		
Network Camera	IP8155HP, IP8165HP, IP8166	E324690-A59-UL	
Network Camera	FD8152V-FX(B), FD8152V-FX(W) (X=0-9,a-z,A-Z,"-", "1" or blank for marketing purpose: (B) Black for enclosure color; (W) White for enclosure color).	E324690-A60-UL	
Network Camera	FE8181, FE8181V, FE8191 ,FE8391-V, CIVS-IPC-7070	E324690-A61-UL	
Network Video Recorder	ND8401	E324690-A62-UL	
Camera	IB8367, IB8367-R, IB8367-T, IB8367-RT	E324690-A63-UL	
Network Camera	SD8161, SD8161-XX (X = 0-9, a-z, A-Z or blank for marketing purpose)	E324690-A64-UL	
Network Camera	IB8338-H, IB8338-HR	E324690-A66-UL	
Network Camera	FD8173-H, FD8373-EHV	E324690-A67-UL	
Network Camera	FD8181, FD8381-EV	E324690-A68-UL	
Network Camera	IK-WD31A, IK-WR31A	E324690-A71-UL	
Network Camera	IB8373-EH, IK-WB82A	E324690-A72-UL	
Network Camera	FD8167, FD8167-T, FD8138H (indoor use) FD8367-V, FD8367-TV, FD8338-HV (outdoor use)	E324690-A73-UL	
Network Camera	IP816A-HP	E324690-A74-UL	
Network Camera	IK-WF51A, IK-WF51R	E324690-A75-UL	
Stereo Camera	SC8131	E324690-A76-UL	
IP 360 Dome Camera (5M)	V6050FDxxxxxxx, V6050FDWxxxxxxx (x =0-9, a-z, space or "-" for marketing purpose).	E324690-A77-UL	
Network Camera	CC8370-HV	E324690-A78-UL	
Network Camera	CIVS-IPC-3630, CIVS-IPC-6630, CIVS-IPC-3620, CIVS-IPC-6620	E324690-A79-UL	
Network Camera	IP9171-HP, IP9181-H	E324690-A80-UL	
Network Camera	FD9171-HT, FD9371-HTV, FD9371-EHTV	E324690-A81-UL	
Network Camera	(1) IB9371-HT, (2) IB9371-EHT	E324690-A82-UL	
Network Camera	FE8182	E324690-A83-UL	
Network Camera	FD816C-HF2	E324690-A84-UL	
Communication IP Camera	KX-NTV150XX (X=0~9, A~Z, a~z, space or "-" for marketing purpose)	E324690-A85-UL	
IP Video Doorphone	KX-NTV160XX (X=0~9, A~Z, a~z, space or "-" for marketing purpose)	E324690-A86-UL	

CERTIFICATE OF COMPLIANCE

Certificate Number 20160202-E324690
Report Reference E324690-A80-UL
Issue Date 2016-FEBRUARY-02

Issued to: VIVOTEK INC
6TH FL, 192 LIEN CHENG RD
CHUNG HO DISTRICT
NEW TAIPEI
235 TAIWAN

**This is to certify that
representative samples of**

INFORMATION TECHNOLOGY EQUIPMENT INCLUDING
ELECTRICAL BUSINESS EQUIPMENT

Network Camera
IP9171-HP, IP9181-H

Have been investigated by UL in accordance with the
Standard(s) indicated on this Certificate.

Standard(s) for Safety: UL 60950-1 & CAN/CSA C22.2 No. 60950-1-07,
Information Technology Equipment - Safety - Part 1:
General Requirements

Additional Information: See the UL Online Certifications Directory at
www.ul.com/database for additional information

Only those products bearing the UL Certification Mark should be considered as being covered by UL's
Certification and Follow-Up Service.

Look for the UL Certification Mark on the product.



Bruce Mahrenholz, Director North American Certification Program
UL LLC

Any information and documentation involving UL Mark services are provided on behalf of UL LLC (UL) or any authorized licensee of UL. For questions, please
contact a local UL Customer Service Representative at <http://ul.com/aboutul/locations/>



UL TEST REPORT AND PROCEDURE

Standard:	UL 60950-1, 2nd Edition, 2014-10-14 (Information Technology Equipment - Safety - Part 1: General Requirements) CAN/CSA C22.2 No. 60950-1-07, 2nd Edition, 2014-10 (Information Technology Equipment - Safety - Part 1: General Requirements)
Certification Type:	Listing
CCN:	NWQQ, NWQQ7 (Information Technology Equipment Including Electrical Business Equipment)
Product:	Network Camera
Model:	IP9171-HP, IP9181-H
Rating:	I/P: 12Vdc, 0.72A or 24Vac, 0.8A, 50-60Hz or PoE 36~57Vdc, 0.3-0.2A
Applicant Name and Address:	VIVOTEK INC 6TH FL, 192 LIEN CHENG RD CHUNG HO DISTRICT NEW TAIPEI 235 TAIWAN

This is to certify that representative samples of the products covered by this Test Report have been investigated in accordance with the above referenced Standards. The products have been found to comply with the requirements covering the category and the products are judged to be eligible for Follow-Up Service under the indicated Test Procedure. The manufacturer is authorized to use the UL Mark on such products which comply with this Test Report and any other applicable requirements of UL LLC ('UL') in accordance with the Follow-Up Service Agreement. Only those products which properly bear the UL Mark are considered as being covered by UL's Follow-Up Service under the indicated Test Procedure.

The applicant is authorized to reproduce the referenced Test Report provided it is reproduced in its entirety.

Any information and documentation involving UL Mark services are provided on behalf of UL LLC (UL) or any authorized licensee of UL.

Prepared by: Jong Lee

Reviewed by: Eric Liu

Supporting Documentation

The following documents located at the beginning of this Procedure supplement the requirements of this Test Report:

- A. Authorization - The Authorization page may include additional Factory Identification Code markings.
- B. Generic Inspection Instructions -
 - i. Part AC details important information which may be applicable to products covered by this Procedure. Products described in this Test Report must comply with any applicable items listed unless otherwise stated in the body of this Test Report.
 - ii. Part AE details any requirements which may be applicable to all products covered by this Procedure. Products described in this Test Report must comply with any applicable items listed unless otherwise stated in the body of each Test Report.
 - iii. Part AF details the requirements for the UL Certification Mark which is not controlled by the technical standard used to investigate these products. Products are permitted to bear only the Certification Mark(s) corresponding to the countries for which it is certified, as indicated in each Test Report.

Product Description

The equipment is a Class III Network Camera supplied by PoE for indoor use only, consists of electronic components mounted on PWB then housed within metal enclosure. The EUT might be installed to the wall via mount kit.

Model Differences

Model IP9181-H is similar to Model IP9171-HP except for Lens module and model designation.

Technical Considerations

- Equipment mobility : movable
- Connection to the mains : not directly connected to the mains
- Operating condition : continuous
- Access location : operator accessible
- Over voltage category (OVC) : OVC I
- Mains supply tolerance (%) or absolute mains supply values : No direct connection
- Tested for IT power systems : No
- IT testing, phase-phase voltage (V) : N/A
- Class of equipment : Class III (supplied by SELV)
- Considered current rating of protective device as part of the building installation (A) : N/A
- Pollution degree (PD) : PD2
- IP protection class : IP X0
- Altitude of operation (m) : Up to 2000 meters
- Altitude of test laboratory (m) : less than 2000 meters
- Mass of equipment (kg) : 0.6 (without mounting device and lens module)
- The product was submitted and evaluated for use at the maximum ambient temperature (T_{ma}) permitted by the manufacturer's specification of: 50°C
- The following circuit locations (with circuit/schematic designation) were investigated as a limited power source (LPS): All output ports
- The following are available from the Applicant upon request: Installation (Safety) Instructions / Manual

- Based upon the product specification provided by the manufacturer, this unit is intended to be supplied by an UL Listed power supply suitable for use at Tma 50 degree C whose output meets SELV, and is rated 12Vdc, 0.72A or 24Vac, 0.8A, 50-60Hz or PoE 36~57Vdc, 0.3-0.2A.
- PoE was considered as Network Environment 0 per IEC TR 62101, and thus the interconnected ITE circuits were considered SELV.

Additional Information

N/A

Additional Standards

The product fulfills the requirements of: N/A

Markings and instructions

Clause Title	Marking or Instruction Details
Inter-connecting cables - External detachable	Listee's Name and Part number (Marking or Instruction)
Power rating - Company identification	Listee's or Recognized company's name, Trade Name, Trademark or File Number
Power rating - Model	Model Number
Instruction/Installation/Safety	the installation instructions clearly state that "the ITE is to be connected only to PoE networks without routing to the outside plant" or equivalent.

Special Instructions to UL Representative

The Field Representative should verify the Tma (maximum ambient temperature) is minimum 50 degree C from the updated version of UL reports for power adapter which was/were certified by UL 60950-1, 2nd edition, 2014-10-14 (provided from customer).

Production-Line Testing Requirements						
<u>Electric Strength Test Special Constructions - Refer to Generic Inspection Instructions, Part AC for further information.</u>						
Model	Component	Removable Parts	Test probe location	V rms	V dc	Test Time, s
--	--	--	--	--	--	--
<u>Earthing Continuity Test Exemptions - This test is not required for the following models:</u>						
All models in this report						
<u>Electric Strength Test Exemptions - This test is not required for the following models:</u>						
All models in this report						
<u>Electric Strength Test Component Exemptions - The following solid-state components may be disconnected from the remainder of the circuitry during the performance of this test:</u>						
-						
<u>Sample and Test Specifics for Follow-Up Tests at UL</u>						
Model	Component	Material	Test	Sample(s)	Test Specifics	
-	-	-	-	-	-	

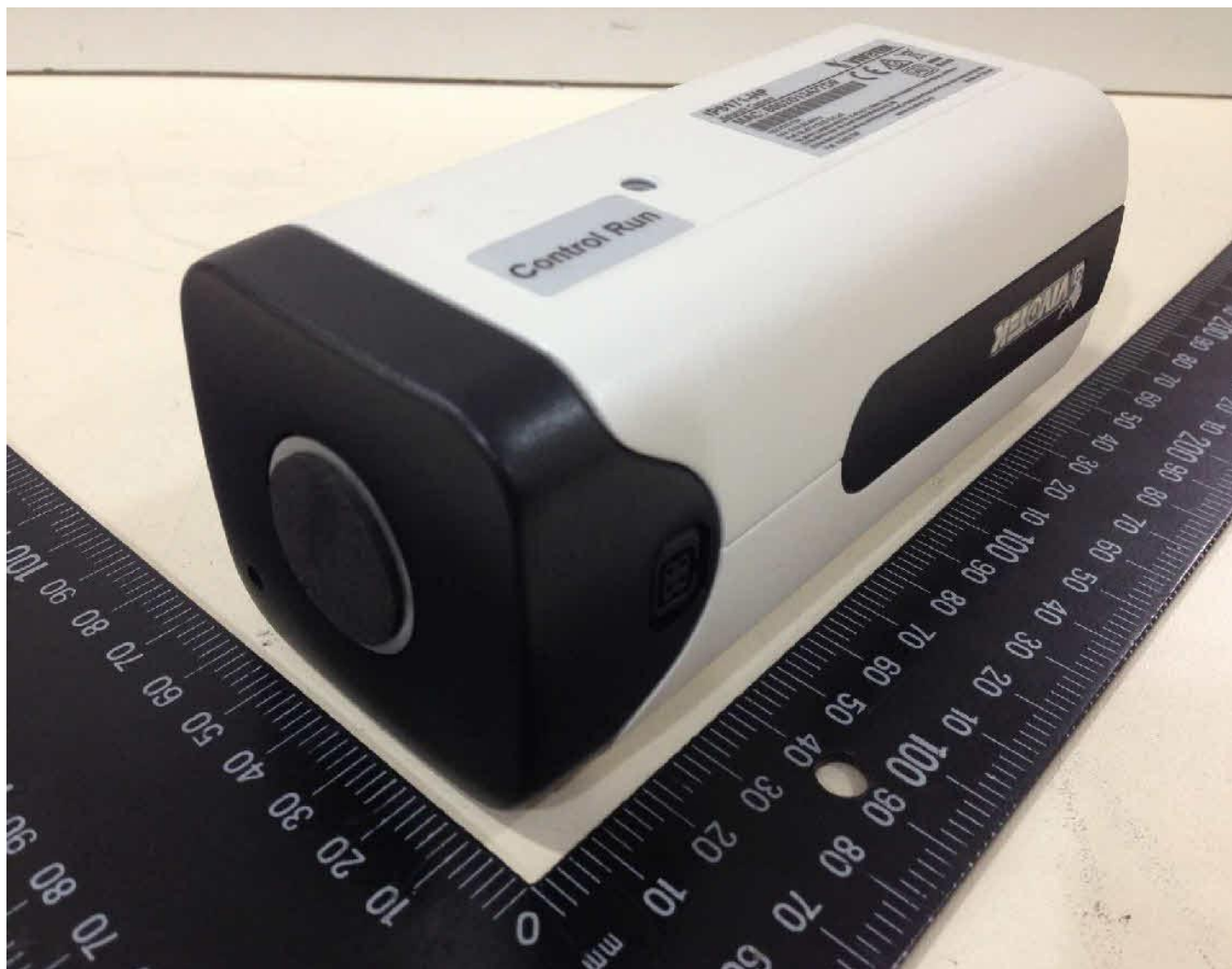
1.5.1	TABLE: list of critical components					Pass
Object/part or Description	Manufacturer/ trademark	type/model	technical data	Product Category CCN(s)	Required Marks of Conformity	Supplement ID
01. Power Adaptor (Optional)	Interchangeable	Interchangeable	O/P: 12Vdc, 0.72A minimum. Comply with L.P.S. Tma 50 degree C.	NWGQ/7	UL	
01a. Power Adaptor (Optional) (Alternate)	Interchangeable	Interchangeable	O/P: 24Vac, 0.8A minimum, 50-60Hz. Comply with L.P.S. Tma 50 degree C.	NWGQ/7	UL	
02. Metal enclosure (Model IP9171-HP)	Interchangeable	Interchangeable	Aluminum, 2.0 mm thick minimum. See enclosure diagram 4-01 for details.	--	--	
02a. Metal enclosure (Model IP9181-H)	Interchangeable	Interchangeable	Aluminum, 2.0 mm thick minimum. See enclosure diagram 4-03 for details.	--	--	
03. Electric Double Layer Capacitors (BT3)	ELNA Co., Ltd.	DSK-3R3K204T614-KL	Rated 3.3Vdc, 0.2F	--	--	
04. Internal plastic parts/material	Interchangeable	Interchangeable	HB minimum	QMFZ2	UL	
05. PWB	Interchangeable	Interchangeable	V-1 minimum, 105 degree C minimum.	ZPMV2	UL	
06. Label	Interchangeable	Interchangeable	60 degree C if maximum surface temperature not specified.	PGDQ2, PGJ12	UL	
06a. Permanency of Marking (Alternate)	--	--	Engraved laser marking.	--	--	
06b. Permanency of Marking (Alternate)	--	--	Permanently ink-stamped, silk-screened, molded in, or on self-adhesive labels.	--	--	
07. Interconnecting Cable (Optional)	Interchangeable	Interchangeable	Minimum 60 degree C, 57V, maximum 3.05 m long, jacketed, VW-1 or FT-1	AVLV2, ZPFW2, DVPJ,	UL	
07a. Interconnecting Cable (Optional) (Alternate)	Interchangeable	Interchangeable	Maximum 3.05 m long, jacketed, type CMP, CMR, CMG, CM, CMX, CMUC, or CMH.	DUZX, ZPFW2, DUXR/2	UL	

08. Wiring, internal secondary SELV circuits (Optional)	Interchangeable	Interchangeable	FEP, PTFE, PVC, TFE, neoprene, polyimide or marked VW-1; min 57 V, 60 degree C.	AVLV2	UL	
09. Connectors and Receptacles (secondary SELV circuits)	Interchangeable	Interchangeable	Copper alloy pins housed in bodies of plastic rated V-2 minimum	QMFZ2	UL	
09a. Connectors and Receptacles (secondary SELV circuits) (alternate)	Interchangeable	Interchangeable	Minimum 57 V.	ECBT2, RTRT2	UL	
09b. Connectors and Receptacles (secondary SELV circuits) (alternate)	Interchangeable	Interchangeable	One provided. (RJ-45)	DUXR2	UL	
10. Mounting kit	Interchangeable	Interchangeable	Aluminum alloy. See Enclosure Diagram 4-02 for details.	--	--	

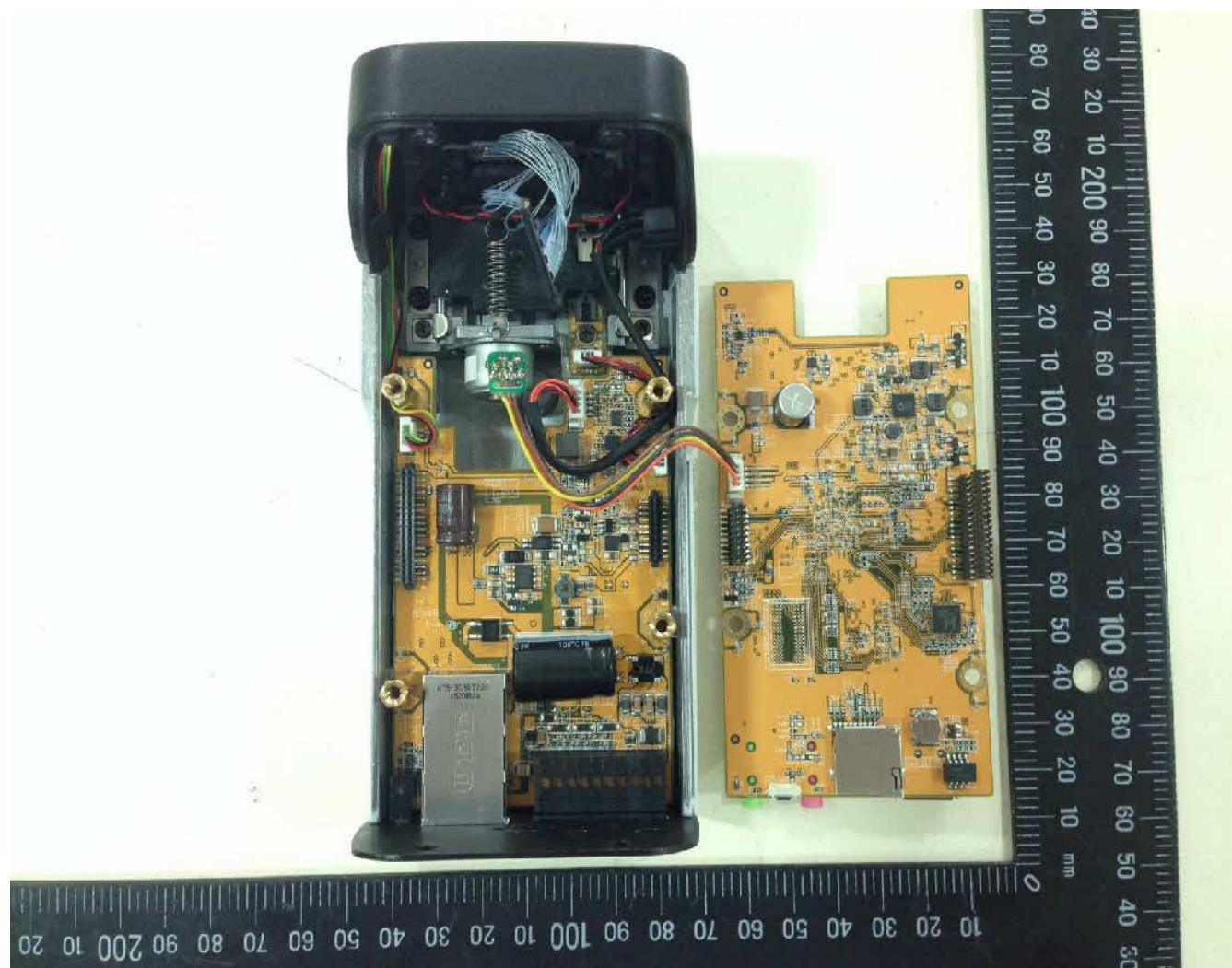
Enclosures

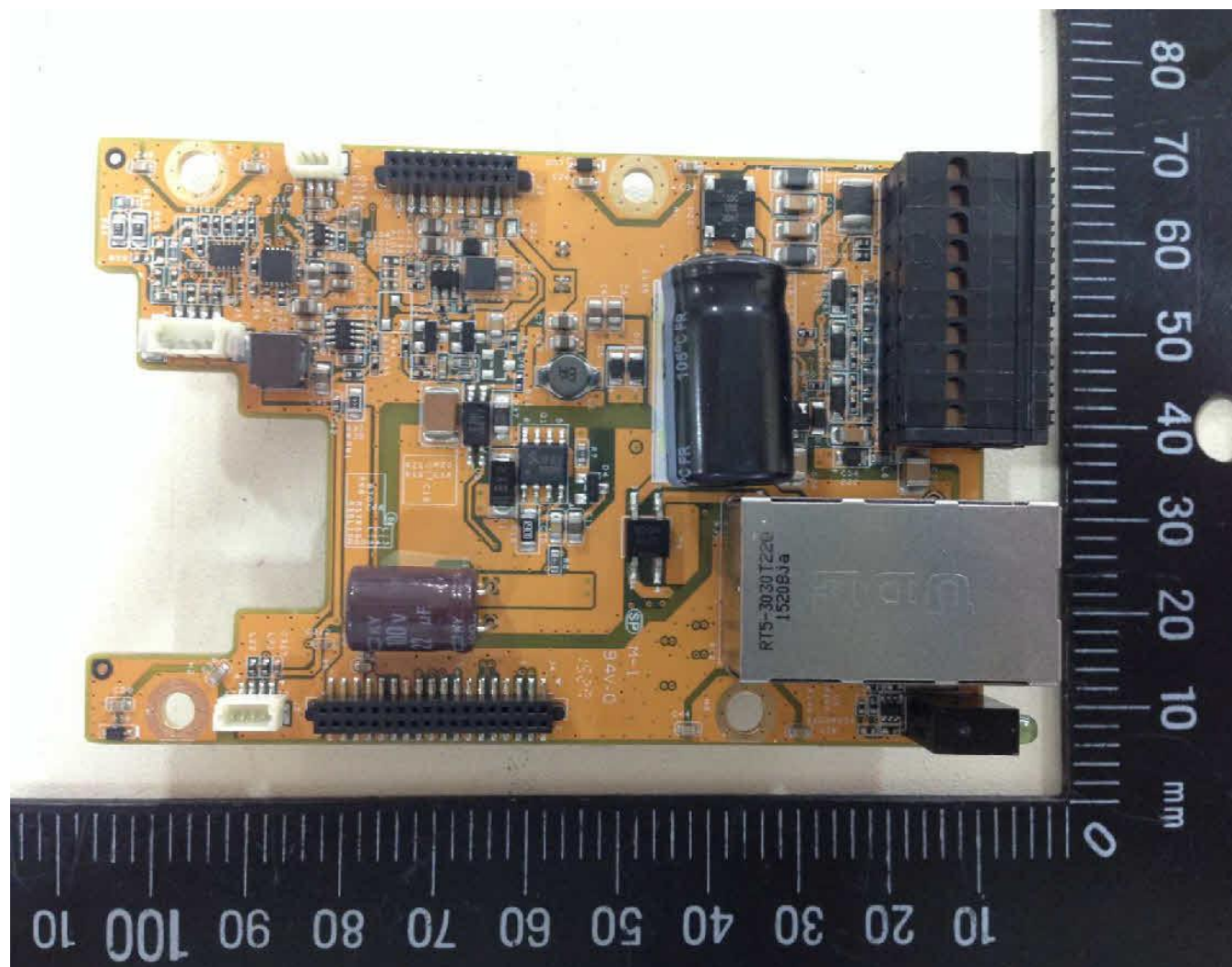
<u>Type</u>	<u>Supplement Id</u>	<u>Description</u>
Photographs	3-01	Overall View-1 (Model IP9171-HP)
Photographs	3-02	Overall View-2 (Model IP9171-HP)
Photographs	3-03	Internal View-1 (Models IP9171-HP and IP9181-H)
Photographs	3-04	Internal View-2 (Model IP9171-HP)
Photographs	3-05	View-1 of Mainboard (Models IP9171-HP and IP9181-H)
Photographs	3-06	View-2 of Mainboard (Models IP9171-HP and IP9181-H)
Photographs	3-07	View-1 of I/O board (Models IP9171-HP and IP9181-H)
Photographs	3-08	View-2 of I/O board (Models IP9171-HP and IP9181-H)
Photographs	3-09	Overall View-1 (Model IP9181-H)
Photographs	3-10	Overall View-2 (Model IP9181-H)
Photographs	3-11	Internal View (Model IP9181-H)
Photographs	3-12	Lens Module View-1 (For Model IP9181-H used)
Photographs	3-13	Lens Module View-2 (For Model IP9181-H used)
Diagrams	4-01	Enclosure Diagram (Model IP9171-HP)
Diagrams	4-02	Mounting Diagram
Diagrams	4-03	Enclosure Drawing (Model IP9181-H)

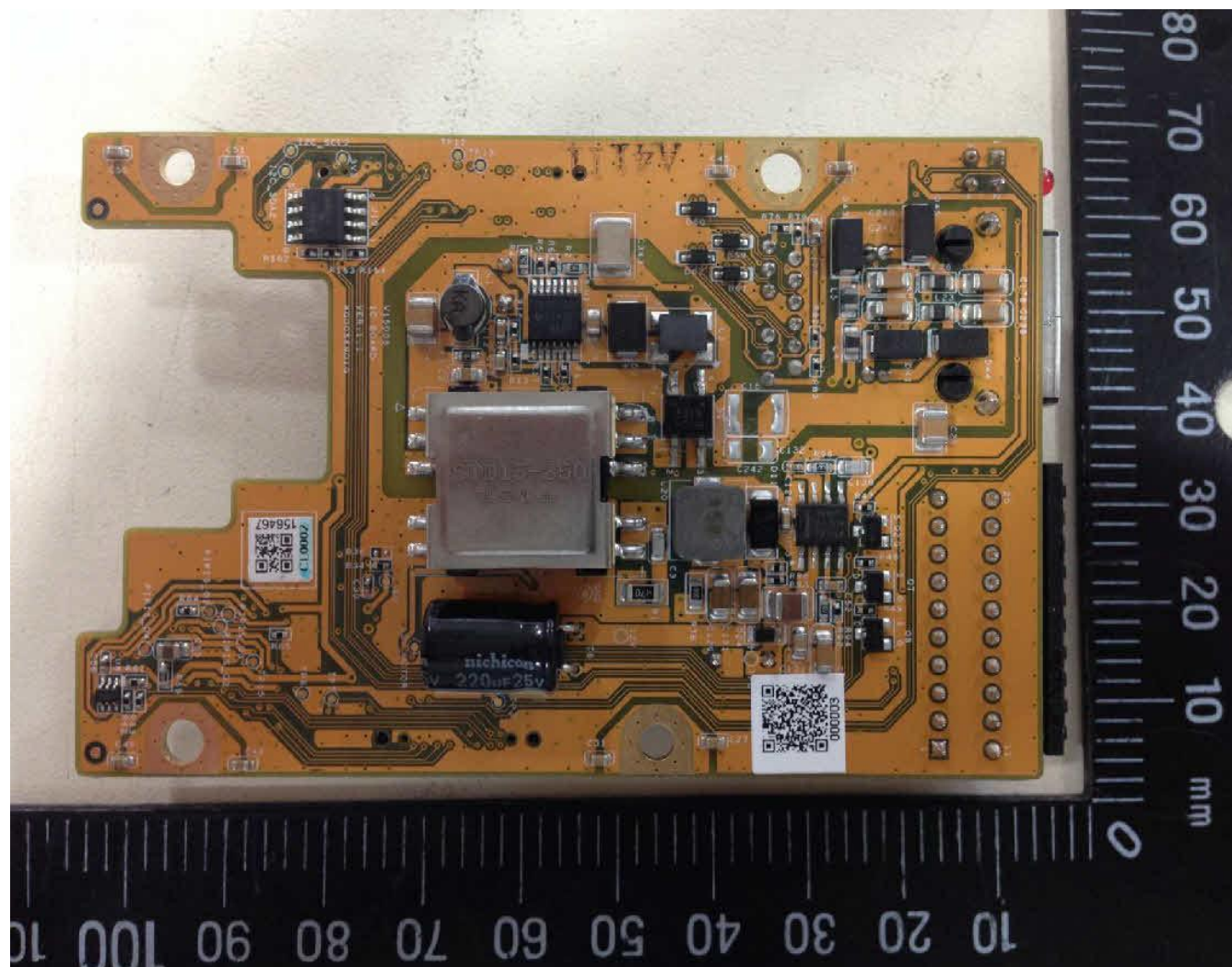


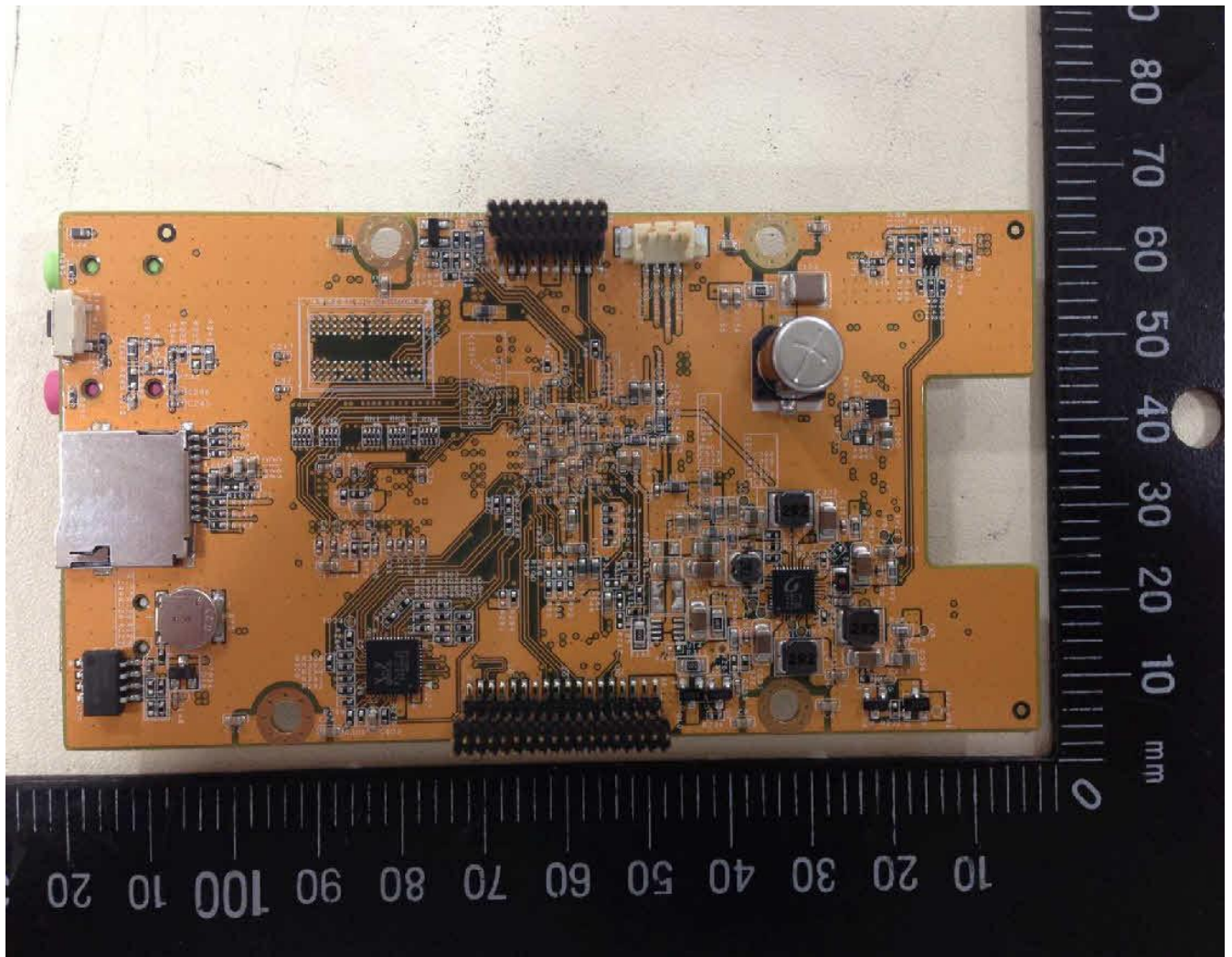


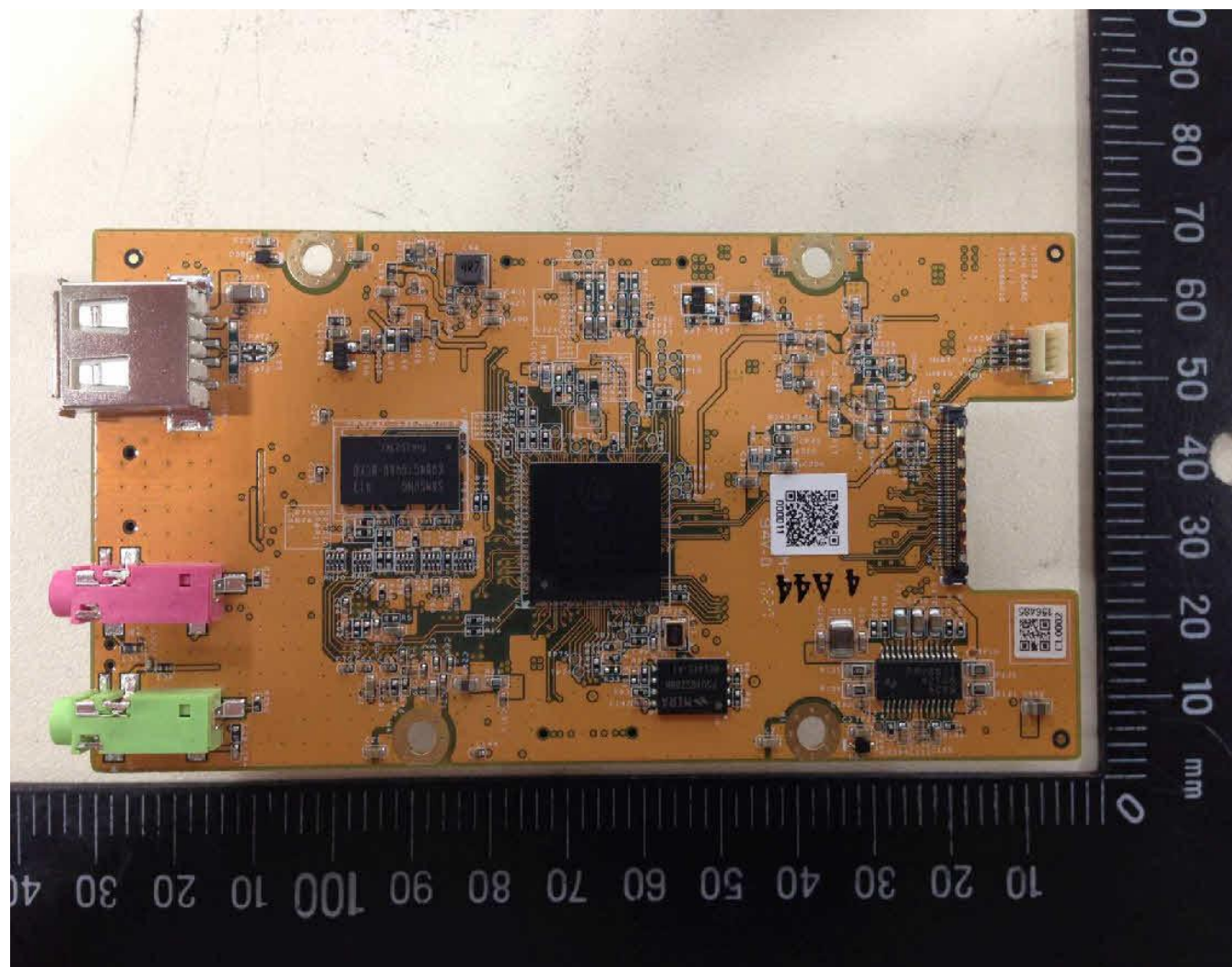






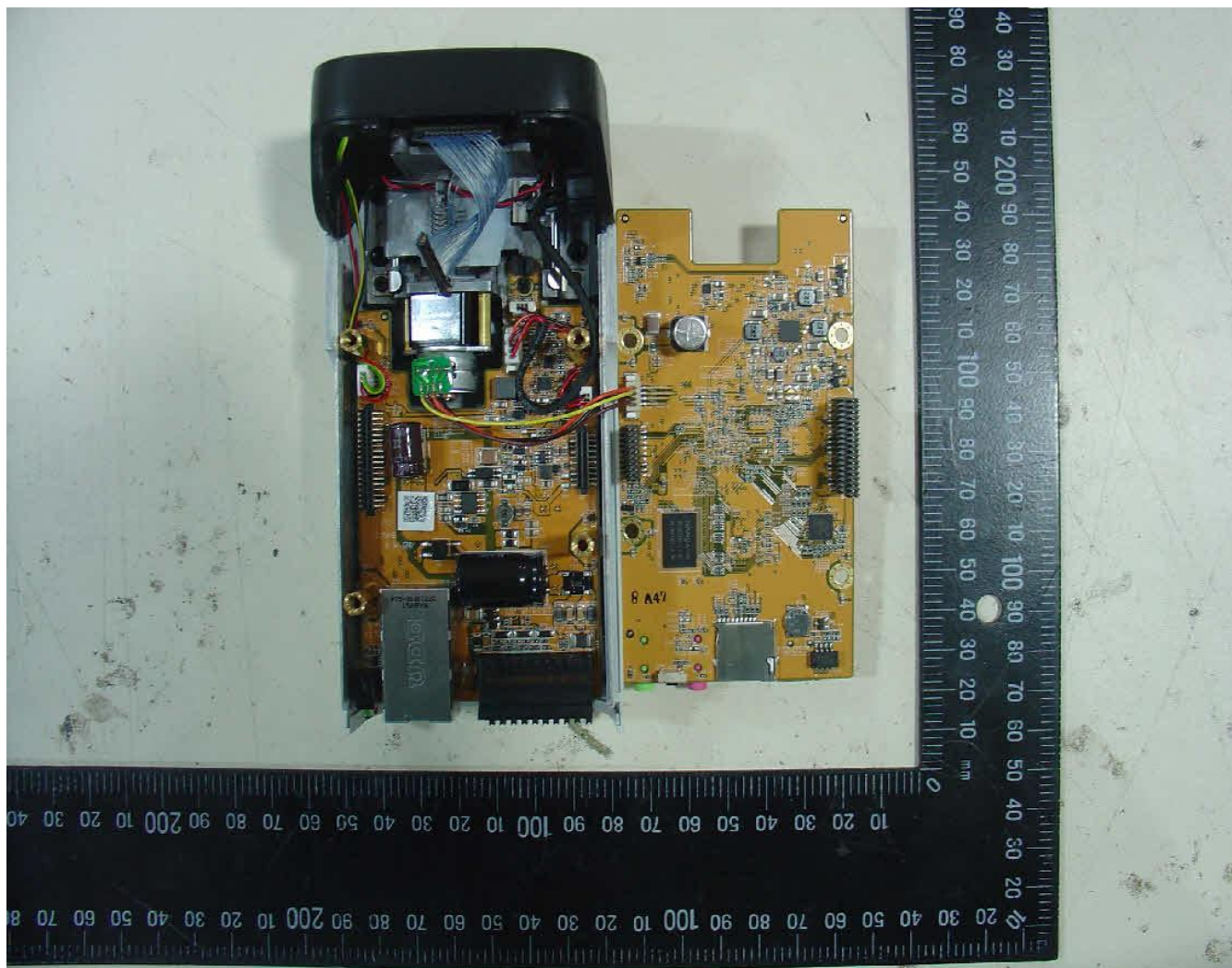






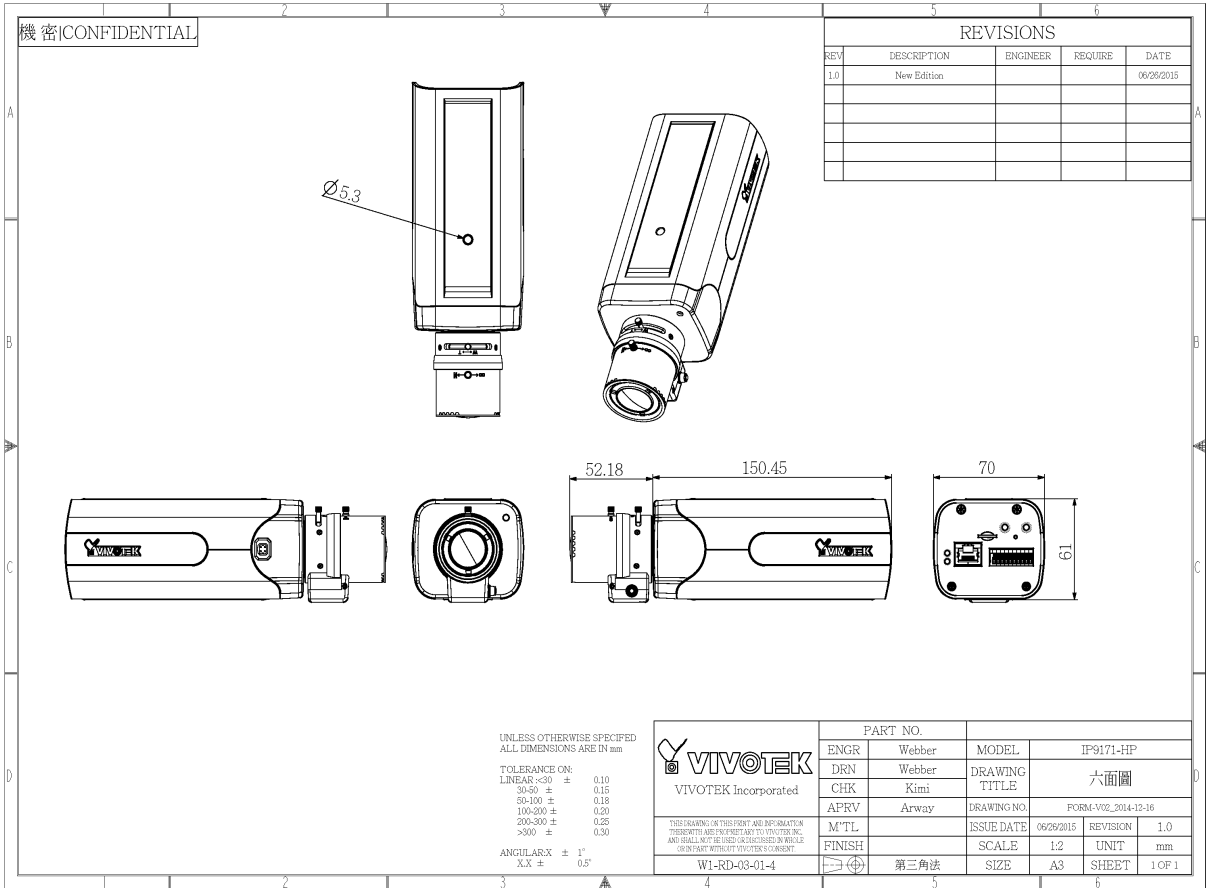












CUSTOMER: VIVOTEK	TransPac I/N: BR-01/BK	REV:1.1
VIVOTEK I/N : 6630004300G	ISSUE DATE: 2012.12.06	PAGE: 2
SUBJECT: BR-01/BK Indoor Camera Mounting Bracket		

**TECHNICAL DATA
CONTAINS:**

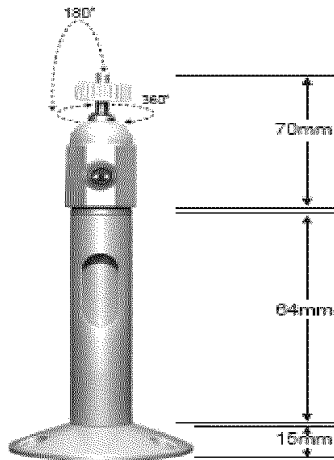
1. GENERAL:

Die-cast aluminum alloy with ivory coating
 Max. load: 5.0kgs
 Scan Angle: 360°
 Title Angle: 120°
 Fixing: 3 screws with bushings
 Cable feed through hole conceals wiring
 Usage: Ceiling / Wall Mount
 Color: Silver



2. MECHANICAL:

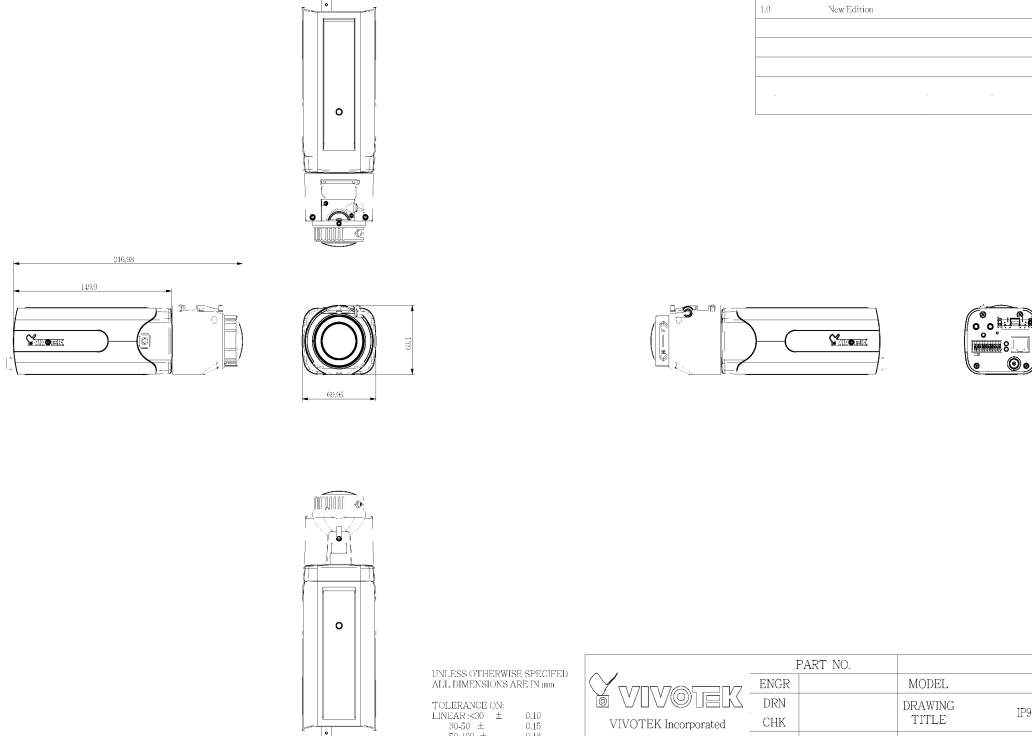
Dimension: 149mm L x 75mm(dia.)



機密|CONFIDENTIAL

REVISIONS

REV	DESCRIPTION	ENGINEER	REQUIRE	DATE
1.0	New Edition			11-Dec-15



UNLESS OTHERWISE SPECIFIED
ALL DIMENSIONS ARE IN mm

TOLERANCE ON:
 LINEAR \pm
 0-50 ± 0.10
 50-100 ± 0.15
 100-200 ± 0.18
 200-300 ± 0.20
 >300 ± 0.25
 >600 ± 0.30

ANGULAR \pm 1'
 XX ± 0.5°

PART NO.		MODEL	
ENGR		DRAWING	IP9181-SIX
DRN		TITLE	
CHK		DRAWING NO.	FORMAVQ 2014-12-16
APRV	Arway	ISSUE DATE	11-Dec-15
M.TL		REVISION	1.0
FINISH		SCALE	0.686
	第二角法	SIZE	A1
		UNIT	mm
		SHEET	1 OF 1

Test Record No. 1

- The manufacturer submitted representative production samples of Network Camera, model IP9171-HP.
- Tests were conducted by (co. name & location) Perfectlink International Corp. / 4F., No.16-1, Sec. 2, Zhongyang S. Rd., Beitou Dist., Taipei City 112, Taiwan under WTDP.
- Tests performed on Model IP8165HP was considered to be representative of all models.
- Test results reported relate only to the items tested.

The following tests were conducted:

Test	Testing Location/Comments
Input: Single-Phase (1.6.2)	
Limited Power Source Measurements (2.5)	
Loading - Wall and Ceiling Mounted Equipment (4.2.10)	
Heating (4.5.1, 1.4.12, 1.4.13)	
Component Failure (5.3.1, 5.3.4, 5.3.7)	
Overload of Operator Accessible Connector (5.3.7)	

Test results are valid only for the tested equipment. These tests are considered representative of the products covered by this Test Report. The test methods and results of the above tests have been reviewed and found to be in accordance with the requirements in the Standard(s) referenced at the beginning of this Test Report.

The following supplements are provided as a part of this Test Record. NOTE: These supplements are only available to the Applicant via the CDA system.

Type	Supplement Id	Description
Attachment	2-01	CRD
Datasheet	2-02	Datasheet

Issue Date: 2015-08-24

Page 2 of 2

Report Reference #

E324690-A80-UL

Revision Date: 2016-01-04

Test Record

Test Record No. 2

This Report is amendment due to add one Model IP9181-H and one Lens Module for new Model. Based on previously conducted testing and the review of product construction, no tests were considered necessary.