

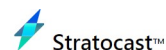


IB9380-H

Bullet Network Camera

5MP • SNV • WDR Pro • Smart IR • 30M IR • Smart Stream III • IP66

- H.265 Compression Technology
- SNV (Supreme Night Visibility) for Low Light Conditions
- 20 fps @ 2560x1920 (WDR Pro on)
- WDR Pro for Unparalleled Visibility in Extremely Bright and Dark Environments
- Smart Stream III to Optimize Bandwidth Efficiency
- Built-in IR Illuminators, Effective up to 30 Meters
- Trend Micro IoT Security
- Weather-proof IP66-rated and Vandal-proof IK10-rated Housing
- Built-in MicroSD/SDHC/SDXC Card Slot for On-board Storage





Technical Specifications

System Information

Model	IB9380-H
CPU	Multimedia SoC (System-on-Chip)
Flash	128 MB
RAM	512 MB

Camera Features

Image Sensor	1/2.7" Progressive CMOS
Max. Resolution	2560x1920 (5MP)
Lens Type	Fixed-focal
Focal Length	f = 3.6 mm
Aperture	F2.0
Iris Type	Fixed iris
Field of View	76° (Horizontal) 59° (Vertical) 100° (Diagonal)
Shutter Time	1/5 sec. to 1/32,000 sec.
WDR Technology	WDR Pro
Day/Night	Yes
Removable IR-cut Filter	Yes
IR Illuminators	Built-in IR illuminators, effective up to 30 meters with Smart IR, IR LED*2
Minimum Illumination	0.03 lux @ F2.0 (Color) <0.005 lux @ F2.0 (B/W) 0 lux with IR illumination on
Tilt Range	90°
Rotation Range	180°
Pan/Tilt/Zoom Functionalities	ePTZ: 48x digital zoom (4x on IE plug-in, 12x built-in)
Storage	Seamless Recording to MicroSD/SDHC/SDXC card and recording to network-attached storage (NAS)

Video

Video Compression	H.265, H.264, MJPEG
Maximum Frame Rate	20 fps @ 2560x1920
Maximum Streams	3 video streams (Up to 8 configurable profiles)
S/N Ratio	67 dB
Dynamic Range	120 dB
Video Streaming	Adjustable resolution, quality and bit rate control, Smart Stream III
Image Settings	General settings: video title and time stamp overlay, video orientation (flip, mirror, rotation), day/night settings; Illuminators: illuminators, anti-overexposure; Image settings: white balance, image adjustment (brightness, contrast, saturation, sharpness, gamma curve), defog, 3DNR; Exposure: BLC, HLC, exposure control (exposure level, exposure time, gain control), AE speed adjustment, WDR; Privacy mask; Scheduled profile settings

Network

Users	Live viewing for up to 10 clients
Security	Access list, digest authentication, HTTPS, IEEE 802.1x, password protection, Trend Micro IoT Security (brute force attack event, cyberattack event, quarantine event), user access log, user account management
Protocols	802.1X, ARP, Bonjour, CIFS/SMB, DDNS, DHCP, DNS, FTP, HTTP, HTTPS, ICMP, IGMPv3, IPv4, IPv6, NTP, PPPoE, QoS (CoS/DSCP), RTSP/RTP/RTCP, SMTP, SNMP, SSL, TCP/IP, TLS 1.2, UDP, UPnP
Interface	10 Base-T/100 Base-TX Ethernet (RJ-45) *It is highly recommended to use standard CAT5e & CAT6 cables which are compliant with the 3P/ETL standard.
ONVIF	Profile G, S, T supported, specification available at www.onvif.org

Solution Integration



Video Motion Detection	Five-window video motion detection
------------------------	------------------------------------

VADP Package	Stratocast, Trend Micro IoT Security (1-year free trial), VIVOCloud
--------------	---

Alarm and Event

Event Trigger	Camera tampering detection, cybersecurity events (brute force attack event, cyberattack event, quarantine event), manual trigger, motion detection, periodical trigger, recording notification, SD card life expectancy, system boot
---------------	--

Event Action	Event notification via email, HTTP, FTP, NAS server, SD card, push notification File upload via email, HTTP, FTP, NAS server, SD card
--------------	--

General

Connectors	RJ-45 cable connector for 10/100Mbps Network/PoE connection
------------	---

Power Input	IEEE 802.3af PoE Class 2
-------------	--------------------------

Power Consumption	Max. 6.49 W/3.6 W (IR on/off)
-------------------	-------------------------------

Dimensions	Ø 91.1 x 176.8 mm
------------	-------------------

Weight	530 g
--------	-------

Certifications	EMC: CE (EN 55032 Class B, EN 55024), FCC (FCC Part 15 Subpart B Class B), RCM (AS/NZS CISPR 32 Class B), VCCI (VCCI-CISPR 32 Class B); Safety: UL (UL 62368-1), CB (IEC/EN 62368-1, IEC/EN 60950-22, IEC/EN 62471); Environment: IK10 (IEC 62262), IP66 (IEC 60529); IA: BIS (IS 13252)
----------------	--

Operating Temperature	Starting Temperature: -10°C ~ 60°C (14°F ~ 140°F) Working Temperature: -30°C ~ 60°C (-22°F ~ 140°F)
-----------------------	--

Humidity	90%
----------	-----

System Requirements

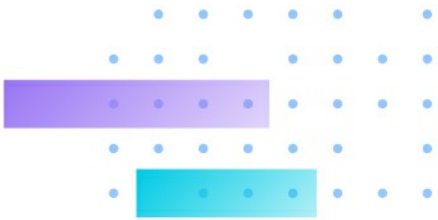
Operating System	Microsoft Windows 10/8/7 Mac 10.12 (Chrome only)
------------------	---

Web Browser	Chrome 58.0 or above Internet Explorer 10/11
-------------	---

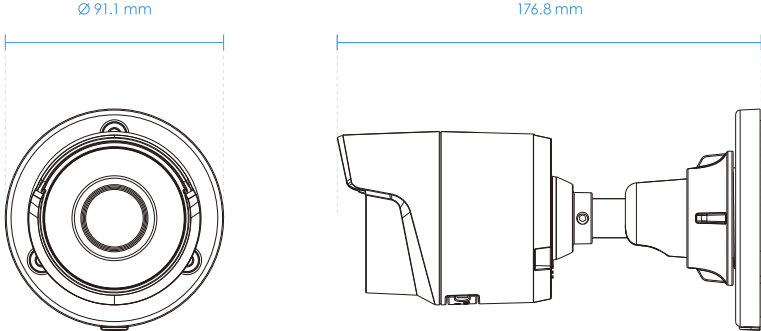
Other Players	VLC: 1.1.11 or above
---------------	----------------------

Included Accessories

Packing Contents	Quick installation guide, alignment sticker, screw pack, cable gland
------------------	--



Dimensions



Compatible Accessories

Mounting Kits



AM-312
Pole Mount Adapter

Mounting Kits



AM-412
Corner Mount Adapter

Mounting Kits



AM-523
Adapting Plate

Mounting Kits



AM-71C
Outdoor Junction Box

Mounting Kits



AM-71E
Outdoor Conduit Box

Mounting Kits



AM-71F
Indoor Conduit Box

