



S SD9374-EHL series Speed Dome Network Camera

4MP 30fps • 36x Zoom • 250M IR • IP66 • IK10 •
NEMA 4X • -40°C ~ 55°C • Smart Tracking

The SD9374-EHL is VIVOTEK's latest professional IR speed dome camera with 4MP resolution, specifically designed to enhance video surveillance in large coverage areas. Equipped with 250M IR illuminators and a 36x optical zoom lens, the SD9374-EHL provides a crystal clear image with 2560x1440 pixels in the most challenging situations. The SD9374-EHL also adopts VIVOTEK's Smart IR II technology, Vari-Angle IR. VIVOTEK's Vari-Angle IR provides smooth vari-angle adjustment of the IR illuminators, allowing broad coverage FOV and highly uniform IR intensity while avoiding hotspots traditionally associated with IR illumination.

The SD9374-EHL utilizes H.265 compression technology. When combined with VIVOTEK's Smart Stream III technology, users can obtain ultra low bandwidth while maintaining high image quality compared to H.264 compression. By combining 4MP resolution with H.265, IR illuminators, Vari-Angle IR, WDR, and 36x optical zoom, the SD9374-EHL is able to capture fine details at top-notch quality, 24 hours a day, 7 days a week. VIVOTEK further

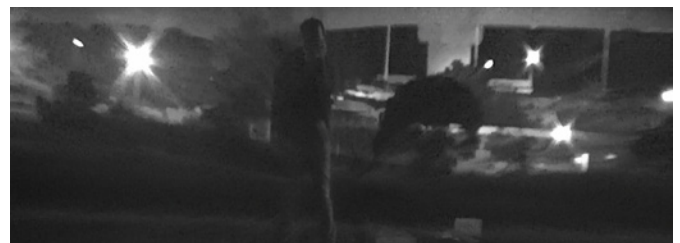
strengthens the camera performance with an IP66- and NEMA 4X-rated housing to protect the camera against rain, dust, and corrosion. The SD9374-EHL has a wide operating temperature range from -40°C to 55°C, ensuring continuous operation under the most extreme weather conditions and hazardous environments. This makes the SD9374-EHL ideally suited to monitor wide open spaces such as ports, highways, city surveillance, and parking lots where high-level precision is required.

As with all VIVOTEK true day/night cameras, the SD9374-EHL features a removable IR-cut filter, maintaining clear images 24 hours a day. Audio detection is included by recognizing changes in ambient noise. The SD9374-EHL also includes a MicroSD/SDHC/SDXC card slot and supports up to 30 fps in 4MP. For the most demanding outdoor surveillance application, there is nothing that compares to the VIVOTEK SD9374-EHL.

* Depending on scene.

Key Features

- H.265 Compression technology
- 30 fps @ 2560x1440
- 36x Optical Zoom, Auto Focus
- 360° Continuous Pan and 220° Tilt
- 250M IR with Smart IR II (Vari-Angle IR)
- Removable IR-cut Filter for Day & Night Function
- Weather-proof IP66-rated, Vandal-proof IK10 and NEMA 4X-rated Housing
- -40°C ~ 55°C Wide Temperature Range for Extreme Weather Conditions
- EIS (Electronic Image Stabilization) to Control Image Stability
- Trend Micro IoT Security
- Smart Tracking for Moving People with People-based Deep Learning Technology



Without Smart IR II



With Smart IR II

Technical Specifications

Model	SD9374-EHL	Dynamic Range	120 dB
System Information		Video Streaming	Adjustable resolution, quality and bitrate, Smart Stream III
CPU	Multimedia SoC (System-on-Chip)	Image Settings	Time stamp, text overlay, flip & mirror, configurable brightness, contrast, saturation, sharpness, white balance, exposure control, gain, backlight compensation, privacy masks (up to 24), scheduled profile settings, defog, 3DNR, EIS, HLC
Flash	128MB	Audio	
RAM	1GB	Audio Capability	Two-way audio (full duplex)
Camera Features		Compression	G.711, G.726
Image Sensor	1/2" Progressive CMOS	Interface	External microphone input External line output
Max. Resolution	2560x1440	Network	
Lens Type	36x Optical Zoom, Auto Focus	Users	Live viewing for up to 10 clients
Focal Length	f = 6 ~ 216 mm (36x zoom)	Protocols	802.1X, ARP, CIFS/SMB, CoS, DDNS, DHCP, DNS, FTP, HTTP, HTTPS, ICMP, IGMP, IPv4, IPv6, NTCIP, NTP, PPPoE, QoS, RTSP/RTP/RTCP, SMTP, SNMP, SSL, TCP/IP, TLS, UDP, UPnP
Aperture	F1.5 ~ F4.8	Interface	10 Base-T/100 BaseTX/1000 BaseTX Ethernet (RJ45) *It is highly recommended to use standard CAT5e & CAT6 cables which are compliant with the 3P/ETL standard.
Iris type	DC-iris	ONVIF	Supported, specification available at www.onvif.org
Field of View	1.85° ~ 49.27° (Horizontal) 1.04° ~ 28.93° (Vertical) 2.13° ~ 55.5° (Diagonal)	Solution Integration	
Shutter Time	1 sec. to 1/30,000 sec.	Video Motion Detection	Five-window video motion detection
WDR Technology	WDR Pro	Smart Tracking	PTZ Auto-tracking on moving people
Day/Night	Yes	Auto-Tracking	Auto-tracking on moving object
Removable IR-cut Filter	Yes	VADP Package	Trend Micro IoT Security
IR Illuminators	Built-in IR Illuminators up to 250 meters with Smart IR II, IR LED*2	Alarm and Event	
Minimum Illumination	0.19 Lux @ F1.5 (Color) 0.01 Lux @ F1.5 (B/W) 0 Lux with IR illumination on	Alarm Triggers	Motion detection, manual trigger, digital input, periodical trigger, system boot, recording notification, audio detection, SD card life expectancy, cybersecurity events (brute force attack event, cyberattack event, quarantine event)
Pan Speed	0.1° ~ 300° / sec.	Alarm Events	Event notification via digital output, email, HTTP, FTP, NAS server, SD card File upload via email, HTTP, FTP, NAS server, SD card
Pan Range	360° endless	General	
Tilt Speed	0.1° ~ 300° / sec.		
Tilt Range	220° (-110° ~ +110°)		
Preset Locations	256 preset locations 128 presets per tour		
Pan/Tilt/Zoom Functionalities	128x digital zoom (4x on IE plug-in, 32x built-in), Auto pan mode, Auto patrol mode		
On-board Storage	Slot type: MicroSD/SDHC/SDXC card slot Seamless Recording		
Video			
Compression	H265, H264, MJPEG		
Maximum Frame Rate	30 fps @ 2560x1440		
Maximum Streams	4 simultaneous streams		
S/N Ratio	66 dB		

Technical Specifications

Connectors	RJ-45 cable connector for 10/100/1000Mbps Network PoE connection*1 Audio input*1 Audio output*1 AC/DC 24V power input*1 Digital input*4 Digital output*2 RS-485 for PTZ control (PelcoD protocol, Baud rate 2400)*1
LED Indicator	System power and status indicator
Power Input	PoH/PoE (95W) AC/DC 24V
Power Consumption	PoH/PoE (95W): Max. 70 W (Heater on, IR on) Max. 51 W (Heater off, IR on) AC/DC 24V: Max. 63 W (Heater on, IR on) Max. 45 W (Heater off, IR on)
Dimensions	237 x 364 mm
Weight	7.1 kg (with bracket) 5.7 kg (without bracket)
Casing	IP66, IK10, NEMA 4X
Safety Certifications	CE, FCC Class A, VCCI, C-Tick, UL
Operating Temperature	Starting Temperature: -40°C ~ 55°C (-40°F ~ 131°F) Working Temperature: -40°C ~ 55°C (-40°F ~ 131°F)
Humidity	98%
Warranty	36 months

System Requirements

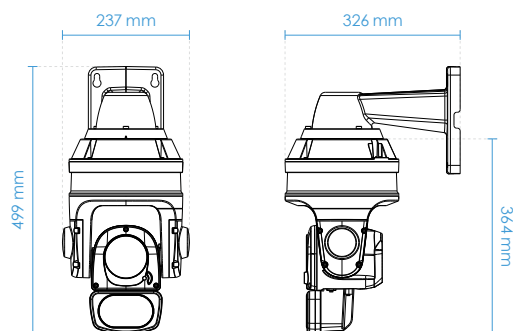
Operating System	Microsoft Windows 8/7 Mac 10.12 (Chrome only)
Web Browser	Chrome 58.0 or above Internet Explorer 10/11
Other Players	VLC: 1.1.11 or above QuickTime: 7 or above

Included Accessories

Others

Wall mount bracket, I/O cable, screws, waterproof connectors, terminal blocks, quick installation guide, warranty card, alignment sticker, ground wire, T25 star driver, desiccant bags

Dimensions



Compatible Accessories

Mounting Kits		Others		
 AM-220 Wall Mount Bracket (standard package)	 AM-529 Mounting Adapter	 AJ-001 USB Joystick	 AJ-002 USB Joystick	 AO-007 I/O Combo Cable
Cabinet				
 AT-CAS-001 Cabinet for Speed Dome	 AT-CAB-002 Cabinet for HLG Power Supply	 AT-SUN-002 Sunshield	 AT-SWH-000 Power Safety Kit	
PoE Kit/Power Adapter				
24VDC		24VAC		
 HLG-120H-24 Industrial 24VDC/120W Power Supply, IP67	 AA-351 Outdoor Power Box, 24VAC/144W, IP67, IK10	 AA-352 Outdoor Power Box, 24VAC/144W, IP67, IK10		

Compatible Accessories

95W PoH/PoE



AW-IHH-0100
Industrial 1xGE 95W PoH/PoE
Injector



HLG-120H-54
Industrial 54VDC/120W Power
Supply, IP67



AW-IHH-0200
Industrial 1xGE 95W PoH/PoE + 1x
SFP GE Switch



HLG-120H-54
Industrial 54VDC/120W Power
Supply, IP67

95W PoH/PoE



AP-GIC-011A-095
1xGE 95W PoH/PoE Injector with Surge Protection 12KV



AP-GIC-015B-095
Outdoor 1xGE 95W PoH/PoE Injector with Surge Protection 12KV, IP67,
IK10