



MD8564-EH

Mobile Dome Network Camera

1080P Full HD • 30M IR • WDR Pro • IP6K9K • IK10+ • EN50155 TX • -40°C ~ 70°C • De-icing

- 30 fps @ 1920x1080
- Built-in IR Illuminators, Effective up to 30 Meters
- WDR Pro for Unparalleled Visibility in High Contrast Environments
- Weather-proof IP6K9K/IP68-rated, Vandal-proof IK10+ and NEMA 4X-rated Housing
- -40°C ~ 70°C Wide Temperature Range for Extreme Weather Conditions
- Smart Stream II to Optimize Bandwidth Efficiency
- Fast AE for Quick Adaptation to Light Changes
- EN50155 TX Compliance for Professional Mobile Surveillance
- M12 Connector for PoE/Network
- De-icing Function with Internal Heating Glass





Technical Specifications

System Information

Model	MD8564-EH
CPU	Multimedia SoC (System-on-Chip)
Flash	128MB
RAM	256MB

Camera Features

Image Sensor	1/2.7" progressive scan CMOS
Max. Resolution	1920x1080 (2MP)
Lens Type	Fixed-focal
Focal Length	f = 6 mm *Optional: 3.6mm. (project-based lenses and not standard.) Please feel free to contact us if you need
Aperture	F2.0
Iris Type	Fixed-iris
Field of View	57° (Horizontal) 30° (Vertical) 65° (Diagonal)
Shutter Time	1/5 sec. to 1/32,000 sec.
WDR Technology	WDR Pro
Day/Night	Yes
Removable IR-cut Filter	Yes
IR Illuminators	Built-in IR Illuminators, effective up to 30 meters, IR LED*4
Minimum Illumination	0.18 lux @ F2.0 (Color) 0.01 lux @ F2.0 (B/W) 0 lux with IR illumination on
Tilt Range	0° ~ 30°
Rotation Range	±90°
Pan/Tilt/Zoom Functionalities	ePTZ: 48x digital zoom (4x on IE plug-in, 12x built-in)
Storage	Slot type: MicroSD/SDHC/SDXC card slot Seamless Recording

Video

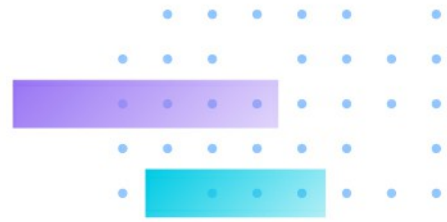
Video Compression	H.264, MJPEG
Maximum Frame Rate	30 fps @ 1920x1080 45 fps @ 1280x720
Maximum Streams	4 simultaneous streams
S/N Ratio	60 dB
Dynamic Range	100 dB
Video Streaming	Adjustable resolution, quality and bit rate control, Smart Stream II
Image Settings	Timestamp, text overlay, flip & mirror, configurable brightness/contrast/saturation/sharpness, white balance, exposure control, gain, backlight compensation, privacy masks, scheduled profile settings, 3D noise reduction, video rotation, defog

Audio

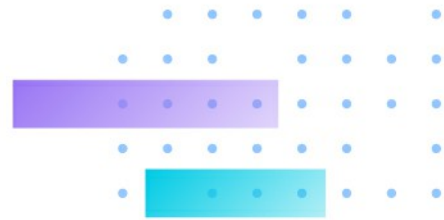
Audio Capability	Two-way Audio (full duplex)
Audio Compression	G.711, G.726
Audio Interface	External microphone input External line output

Network

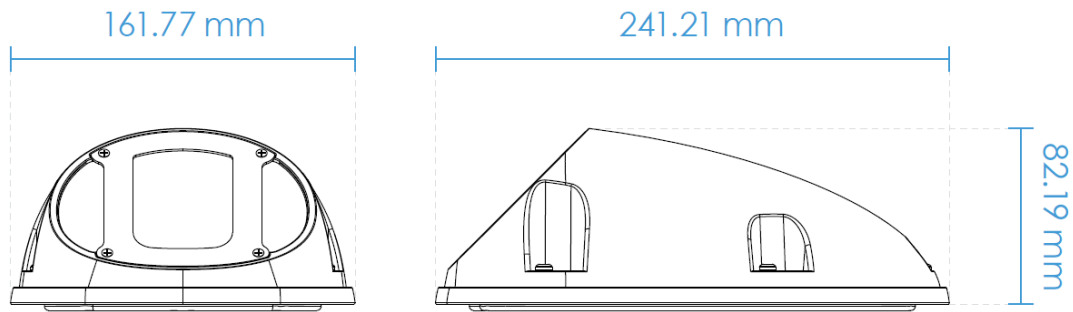
Users	Live viewing for up to 10 clients
Protocols	802.1X, ARP, CIFS/SMB, CoS, DDNS, DHCP, DNS, FTP, HTTP, HTTPS, ICMP, IGMP, IPv4, IPv6, NTP, PPPoE, QoS, RTSP/RTP/RTCP, SMTP, SNMP, SSL, TCP/IP, TLS, UDP, UPnP



Interface	10Base-T/100BaseTX Ethernet (M12, Female, 4pin D-coded)
ONVIF	Supported, specification available at www.onvif.org
Solution Integration	
Video Motion Detection	Five-window video motion detection
Alarm and Event	
Event Trigger	Motion detection, manual trigger, digital input, periodical trigger, system boot, recording notification, camera tampering detection, audio detection, SD card life expectancy
Event Action	Event notification via digital output, email, HTTP, FTP, NAS server, SD card, push notification File upload via email, HTTP, FTP, NAS server, SD card
General	
Connectors	M12 4pin D-coded, Female connector for Network/PoE connection M12 5pin A-coded, Male connector for DC 24V heater Audio input Audio output Digital input*1 Digital output*1
LED Indicator	System power and status indicator
Power Input	Camera: IEEE 802.3af PoE Class 0 Heater: DC 24V
Power Consumption	Camera: Max. 10 W/5.7 W (IR on/off) Heater: 50 W
Dimensions	241.21 (D) x 161.77 (W) x 82.19 (H) mm
Weight	1,370 g
Casing	IP68, IP6K9K, NEMA 4X, IK10+ casing with AR-coated glass
Certifications	CE, LVD, FCC Class B, VCCI, C-Tick, EN50155 TX, EN61373, EN50121-3-2, EN50121-4, UL, EN45545 HL1
Operating Temperature	Starting Temperature: -40°C ~ 70°C (-40°F ~ 158°F) Working Temperature: -40°C ~ 70°C (-40°F ~ 158°F)
Humidity	90%
System Requirements	
Operating System	Microsoft Windows 8/7 Mac 10.12 (Chrome only)
Web Browser	Chrome 58.0 or above Internet Explorer 10/11
Other Players	VLC: 1.1.11 or above QuickTime: 7 or above
Included Accessories	
CD	User's manual, quick installation guide, Shepherd, VAST
Packing Contents	Quick installation guide, warranty card, alignment sticker, screwdriver, accessories bag, software CD



Dimensions



Compatible Accessories

PoE Kits



AW-IHT-0602
Industrial EN50155 4xFE M12 PoE + 2xFE M12 Switch
