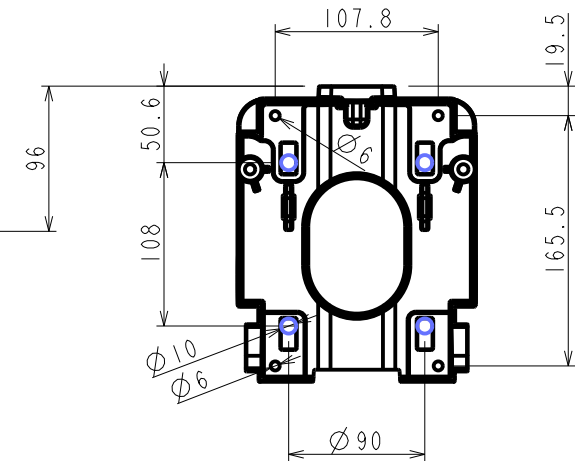
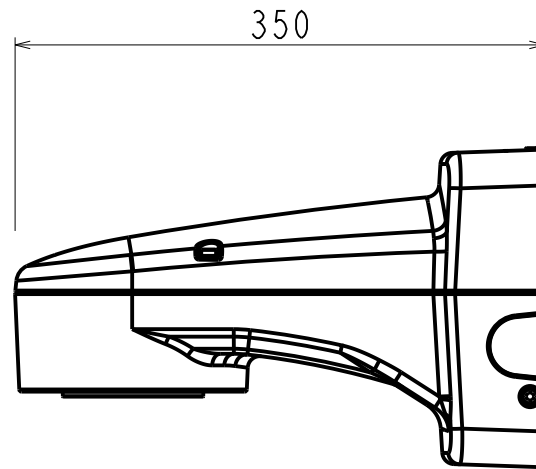
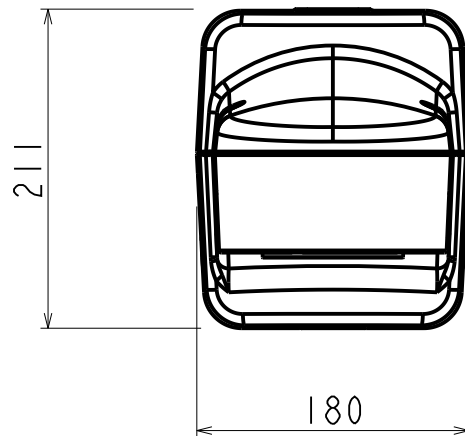


### REVISIONS

REV	DESCRIPTION	POSITION	ENGINEER	DATE
00	New Edition			Apr-13-23



Default tolerance: grade F						
Dimension tolerance range(mm)						
Class	0.5-3	3-6	6-30	30-120	120-400	400-1000
F	±0.05	±0.05	±0.1	±0.15	±0.2	±0.3
M	±0.1	±0.1	±0.2	±0.3	±0.5	±0.8
C	±0.2	±0.3	±0.5	±0.8	±1.2	±2
USER						
Angle tolerance range(mm) (Base on the length of short dimension)						
Class	±10	10-50	50-120	120-400	>400	
F	±1°	±0°30'	±0°20'	±0°10'	±0°5'	
M	±1°	±0°30'	±0°20'	±0°15'	±0°10'	
C	±1°30'	±1°	±0°30'	±0°15'	±0°10'	
USER						

**VIVOTEK**  
A DELTA GROUP COMPANY

THESE DRAWINGS AND SPECIFICATIONS ARE THE PROPERTY OF VIVOTEK, INC., AND SHALL NOT BE REPRODUCED OR USED AS THE BASIS FOR THE MANUFACTURE OR SELL OF APPARATUS OR DEVICES WITHOUT PERMISSION.

CP02-WI-014-01-7

PART NO.		5630104563			
ENGR	Joy	MODEL	AM-21P		
DRN	Joy	DESCRIPTION	MOUNTING KIT		
CHK	Kimi				
M'TL	ADC12/SUS304	ISSUE DATE	Apr-13-23	REVISION	00
FINISH	(TEMPO001181358)	SCALE	1:5	UNIT	mm
	THIRD ANGLE PROJECTION	SIZE	A4	SHEET	1 OF 1